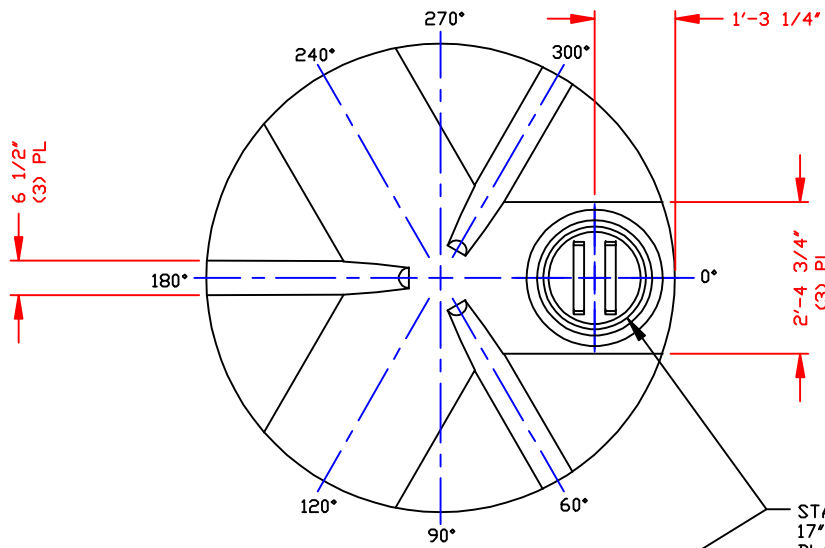


NON-CONTROLLED COPY
 INFORMATION SUBJECT TO CHANGE WITHOUT NOTICE
 VERIFY REV LEVEL OF PAPER COPY WITH REV LEVEL ON PPC WEB SITE

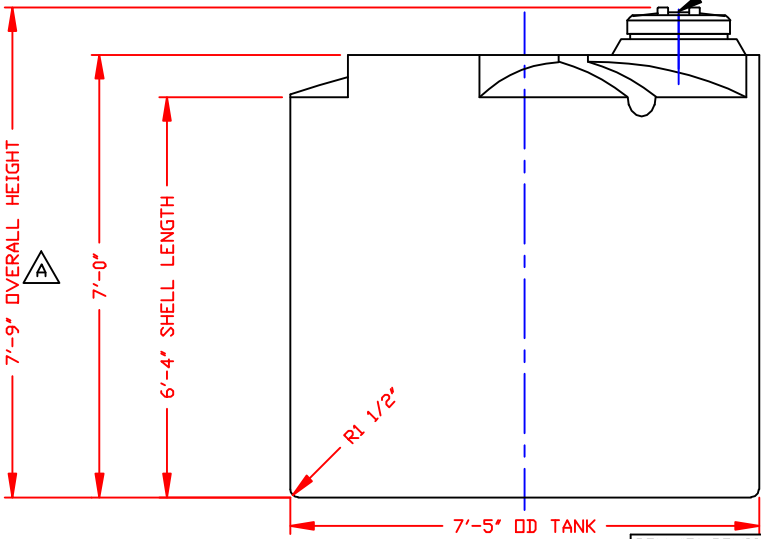


NOZZLE SCHEDULE & ACCESSORIES						
SERVICE	MK	STOCK NO.	SIZE	FITTING	DEG	ELEV

STANDARD COVER:
 17" CAP/BUTTRESS THR'D
 BLACK PE
 STOCK NO. 4558

△ B △ D △ E


- NOTES**
1. THIS IS A COMPUTER GENERATED DWG. DO NOT REVISE BY HAND.
 2. DIMENSION WILL VARY ±3% DUE TO VARIATIONS IN MULTIPLE MOLDS & CONDITIONS PREVALENT DURING MANUFACTURE & USAGE.
 3. MOLDED IN GALLONAGE MARKERS @ 0° IN 200 GAL INCREMENTS STARTING @ 200 GAL UP TO 1600 GAL. AVOID WHEN PLACING FITTINGS.



NOTE: △ C
MUST USE FLEXIBLE CONNECTIONS ALL LOWER SIDEWALL FITTINGS

CALCULATED CAPACITIES/ VOLUME IN U.S. GALLONS		
DESIGN CAP	DOME VOL	TOTAL VOL
2022	115	2137

CONFIDENTIAL PROPERTY OF
 POLY PROCESSING COMPANY
 NOT FOR REPRINT OR USE
 WITHOUT PERMISSION

DWG TITLE			
2000 GALLON UPRIGHT TANK			
SCALE:	1/2"=1'-0"	 Western Region P.O. Box 88 9522 South Ash Street French Camp, CA 95824 (925) 962-0954 FAX (925) 962-0405	DR:
DATE:	2/29/00		CK:
REV "E" REVISED COVER BY:JB 7/20/09 CK:WM		SHEET	COMPUTER FILE
REV "D" REVISED COVER BY:MBW 3/10/05 CK:WM		1 OF 1	11002000
REV "C" ADDED FITTING NOTE BY:JB 3/19/03 CK:MBW		REV	
REV "B" REVISED STOCK NUMBER BY:JB 3/19/03CK:MBW		E	
REV "A" ADDED DIMENSION BY:JB 10/18/02 CK:MBW			

REV "E" REVISED COVER BY:JB 7/20/09 CK:WM
 REV "D" REVISED COVER BY:MBW 3/10/05 CK:WM
 REV "C" ADDED FITTING NOTE BY:JB 3/19/03 CK:MBW
 REV "B" REVISED STOCK NUMBER BY:JB 3/19/03CK:MBW
 REV "A" ADDED DIMENSION BY:JB 10/18/02 CK:MBW