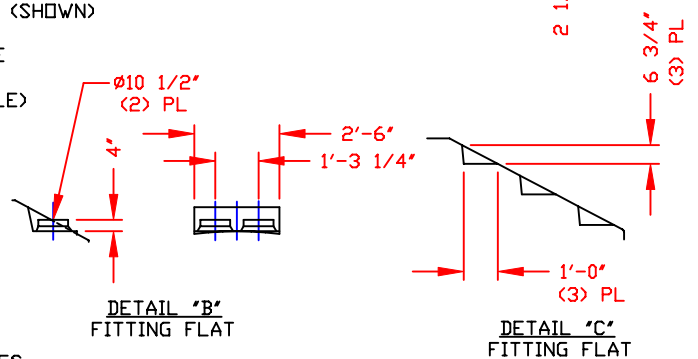
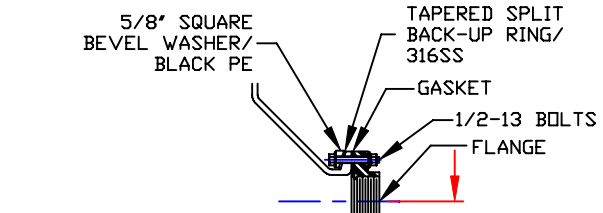
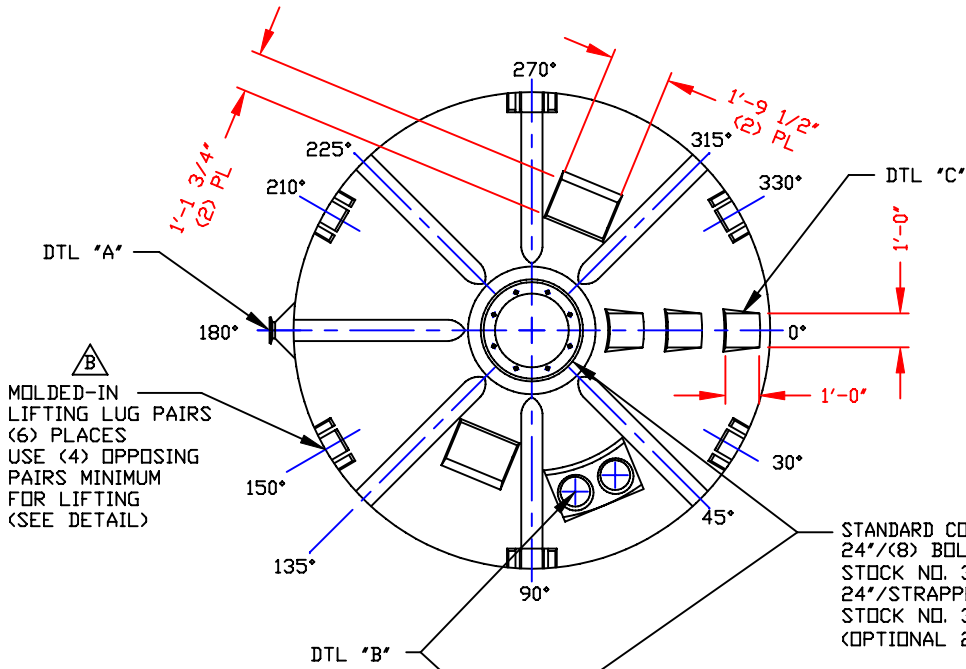


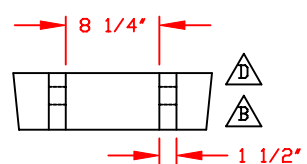
NON-CONTROLLED COPY
 INFORMATION SUBJECT TO CHANGE WITHOUT NOTICE
 VERIFY REV LEVEL OF PAPER COPY WITH REV LEVEL ON PPC WEB SITE

REV 'A' CORRECTED STRAIGHT WALL & OVERALL DIM BY MBW 11/2/01 CK-JB
 REV 'B' ADDED LIFTING LUGS & DETAIL BY JB 6/26/02 CKWM
 REV 'C' ADDED DIMENSION BY JB 10/22/02 CKMBW
 REV 'D' REVISED LIFTING LUG DETAIL BY JB 1/14/03 CKWM
 REV 'E' REVISED STOCK NUMBER BY JB 1/14/03 CKWM
 REV 'F' ADDED FITTING NOTE BY JB 2/13/03 CKMBW
 REV 'G' REVISED IMFO STYLE BY JB 4/30/03 CKWM
 REV 'H' REVISED MANWAY COVER BY JB 5/9/06 CKWM

NOZZLE SCHEDULE & ACCESSORIES					
SERVICE	MK	STOCK NO.	SIZE	FITTING	DEG ELEV



STANDARD COVER:
 24\"/8) BOLT MANWAY COVER/PE (SHOWN)
 STOCK NO. 3218 OR
 24\"/STRAPPED MANWAY COVER/PE
 STOCK NO. 3217
 (OPTIONAL 24\" COVERS AVAILABLE)

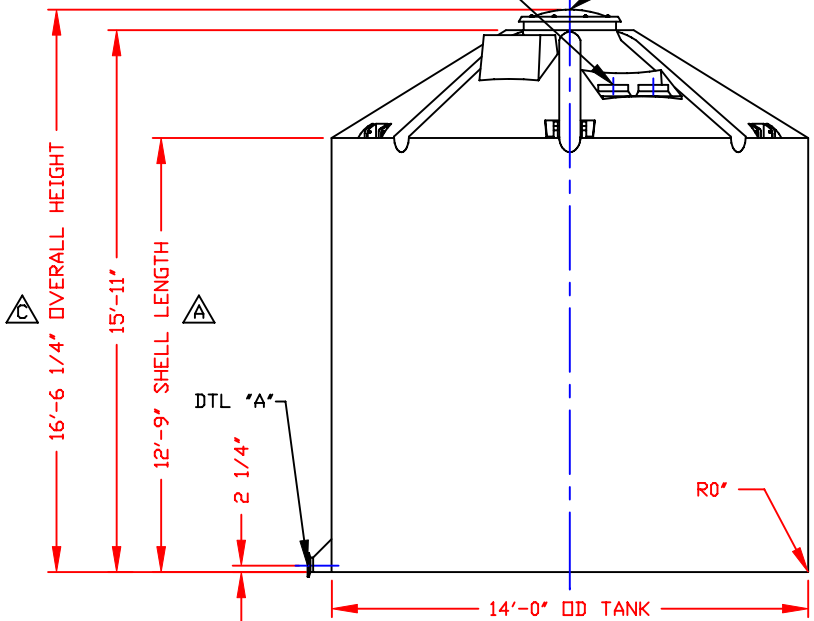


LIFTING LUG DETAIL
 (6) PLACES
 SCALE: 1\"=1'-0"

- NOTES
- THIS A COMPUTER GENERATED DWG. DO NOT REVISE BY HAND.
 - DIMENSIONS WILL VARY ±3% DUE VARIATIONS IN MULTIPLE MOLDS & CONDITIONS PREVALENT DURING MANUFACTURE & USAGE.
 - NO MOLDED IN GALLONAGE MARKERS THIS TANK.

CALCULATED CAPACITIES/ VOLUME IN U.S. GALLONS		
DESIGN CAP	DOME VOL	TOTAL VOL
14958	1542	16500

CONFIDENTIAL PROPERTY OF
 POLY PROCESSING COMPANY
 NOT FOR REPRINT OR USE
 WITHOUT PERMISSION



NOTE: **MUST USE FLEXIBLE CONNECTIONS ALL LOWER SIDEWALL FITTINGS**

DWG TITLE		14950 GALLON IMFO TANK	
SCALE:	1/4\"=1'-0"	 Western Region P.O. Box 80 8020 South Ash Street French Camp, CA 95231 (509) 962-9914 FAX (509) 962-0435	DR:
DATE:	3/9/00		 POLY PROCESSING COMPANY
		SHEET	REV
		1 OF 1	11114950 H
		COMPUTER FILE	