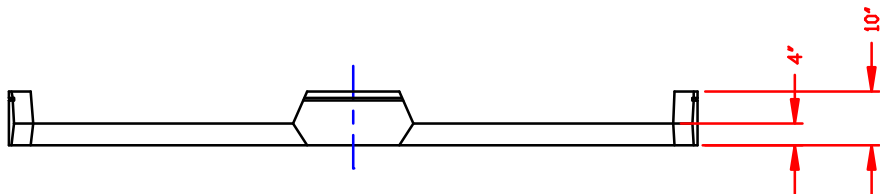
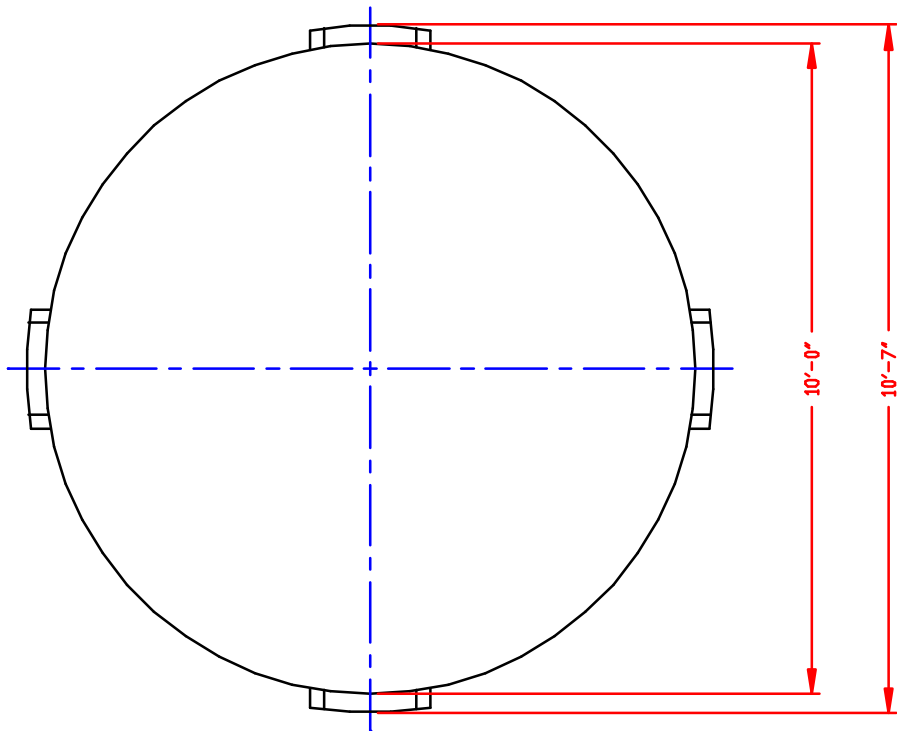


NON-CONTROLLED COPY INFORMATION SUBJECT TO CHANGE WITHOUT NOTICE COPY WILL <u>NOT</u> BE UPDATED	COPY ISSUED BY _____ COPY ISSUED ON _____
--	--



NOTES
 1. THIS IS A COMPUTER GENERATED DWG. DO NOT REVISE BY HAND.
 2. DIMENSIONS WILL VARY ±3% DUE TO VARIATIONS IN MULTIPLE MOLDS & CONDITIONS PREVALENT DURING MANUFACTURE & USAGE.

CONFIDENTIAL PROPERTY OF
 POLY PROCESSING COMPANY
 NOT FOR REPRINT OR USE
 WITHOUT PERMISSION

DWG TITLE			
PAD FOR 10' OD IMFO TANK			
SCALE: 1/2"=1'-0"	POLY PROCESSING <small>Company</small>	Wardensburg, Tenn P.O. Box 88 8800 South Ash Street Evans County, GA 30801 706-336-7200 FAX 706-336-9400	DR: MB WILKERSON
DATE: 3/30/00		CK: J. RECTOR	
	SHEET	COMPUTER FILE	REV
	1 OF 1	18000010	-