

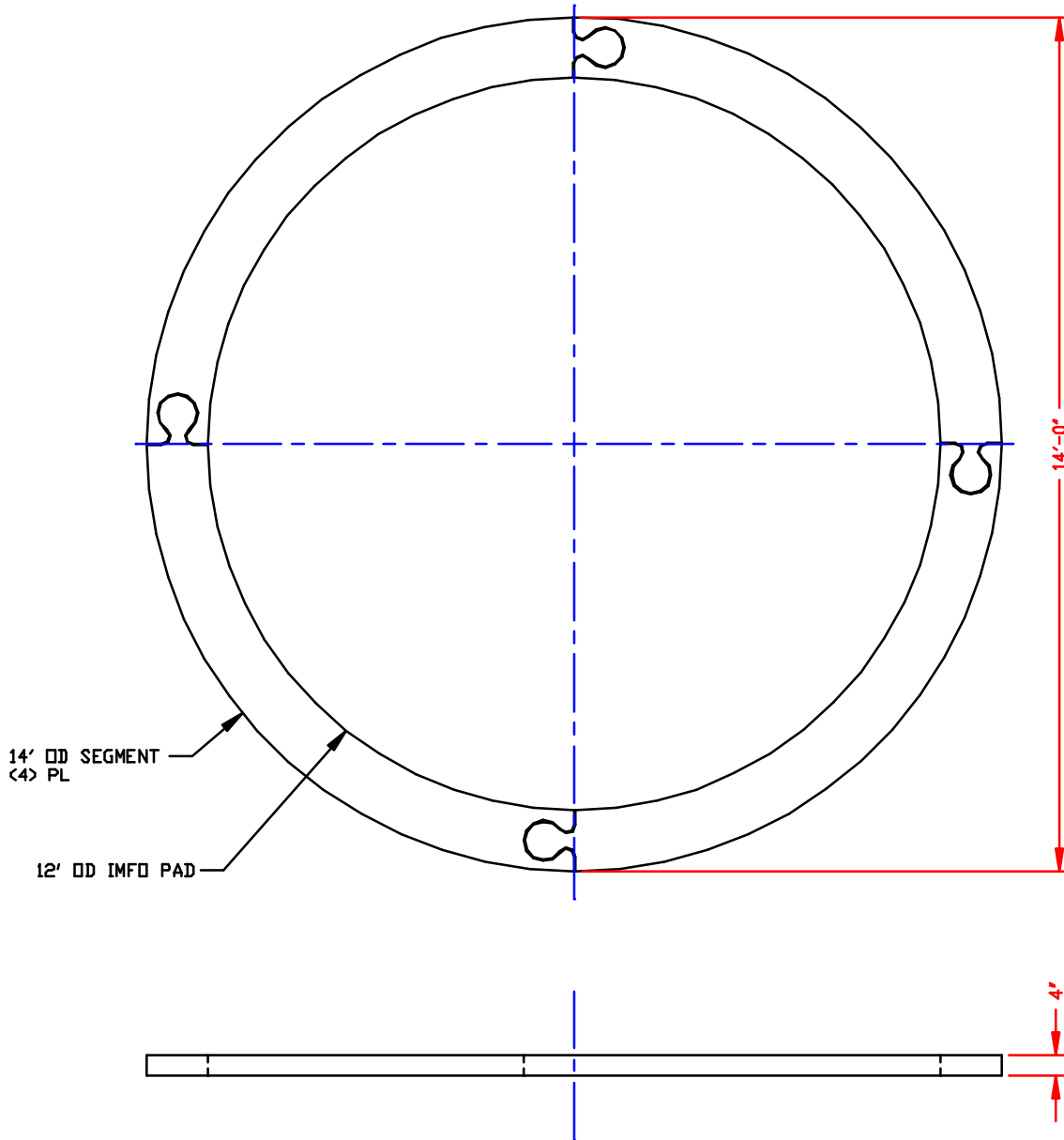
NON-CONTROLLED COPY

INFORMATION SUBJECT TO CHANGE WITHOUT NOTICE

COPY WILL NOT BE UPDATED

COPY ISSUED BY.....

COPY ISSUED ON.....



14' OD SEGMENT
<4> PL

12' OD INFO PAD

NOTES

- 1. THIS IS A COMPUTER GENERATED DWG. DO NOT REVISE BY HAND.
- 2. DIMENSIONS WILL VARY $\pm 3\%$ DUE TO VARIATIONS IN MULTIPLE MOLDS & CONDITIONS PREVALENT DURING MANUFACTURE & USAGE.

CONFIDENTIAL PROPERTY OF
POLY PROCESSING COMPANY
NOT FOR REPRINT OR USE
WITHOUT PERMISSION

DWG TITLE				
PAD FOR 14' OD INFO TANK				
SCALE:	1/2"=1'-0"	POLY PROCESSING <small>Company</small>	DR: MB WILKERSON	
DATE:	4/3/00		CK: J. RECTOR	
		SHEET	COMPUTER FILE	REV
		1 OF 1	18000014	-