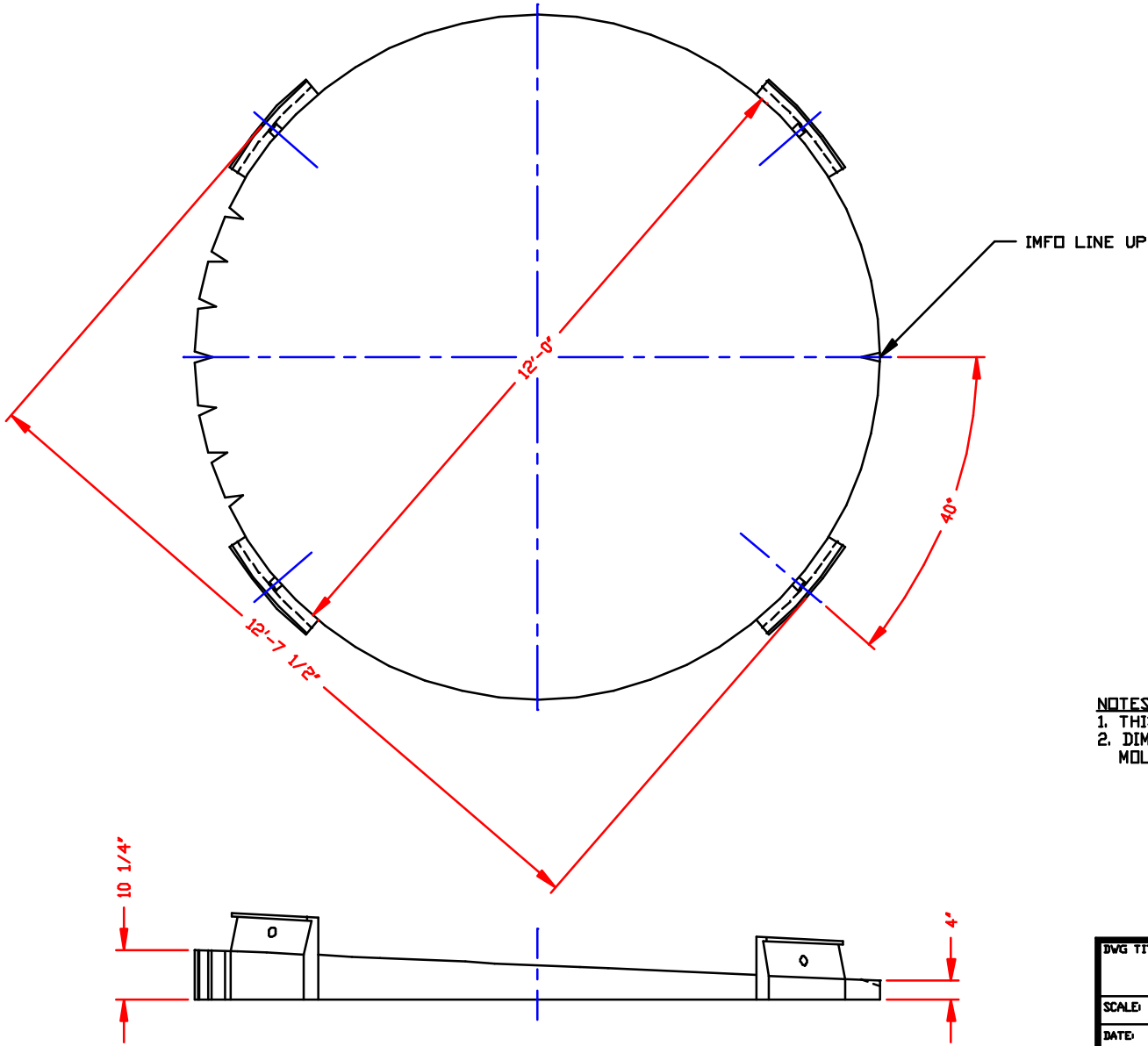


NON-CONTROLLED COPY INFORMATION SUBJECT TO CHANGE WITHOUT NOTICE COPY WILL <u>NOT</u> BE UPDATED	COPY ISSUED BY.....
	COPY ISSUED ON.....



**NOTES**  
 1. THIS IS A COMPUTER GENERATED DWG. DO NOT REVISE BY HAND.  
 2. DIMENSIONS WILL VARY ±3% DUE TO VARIATIONS IN MULTIPLE MOLDS & CONDITIONS PREVALENT DURING MANUFACTURE & USAGE.

CONFIDENTIAL PROPERTY OF  
 POLY PROCESSING COMPANY  
 NOT FOR REPRINT OR USE  
 WITHOUT PERMISSION

DWG TITLE			
PAD FOR 12' OD SLOPE BOTTOM IMFO TANK			
SCALE: 1/2"=1'-0"		<small>Windows Manager          P.O. Box 88          8800 South Ash Street          Fresno, Calif., CA 93728          (559) 281-7272          FAX (559) 282-9400</small>	DR: MB WILKERSON
DATE: 4/1/00		CK: D. RECTOR	
SHEET	COMPUTER FILE	REV	
1 OF 1	18100012	-	