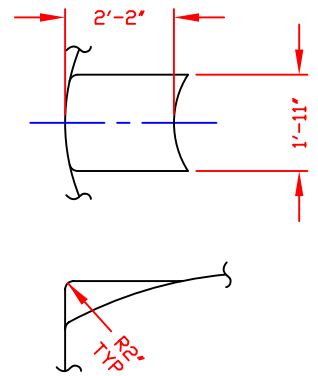
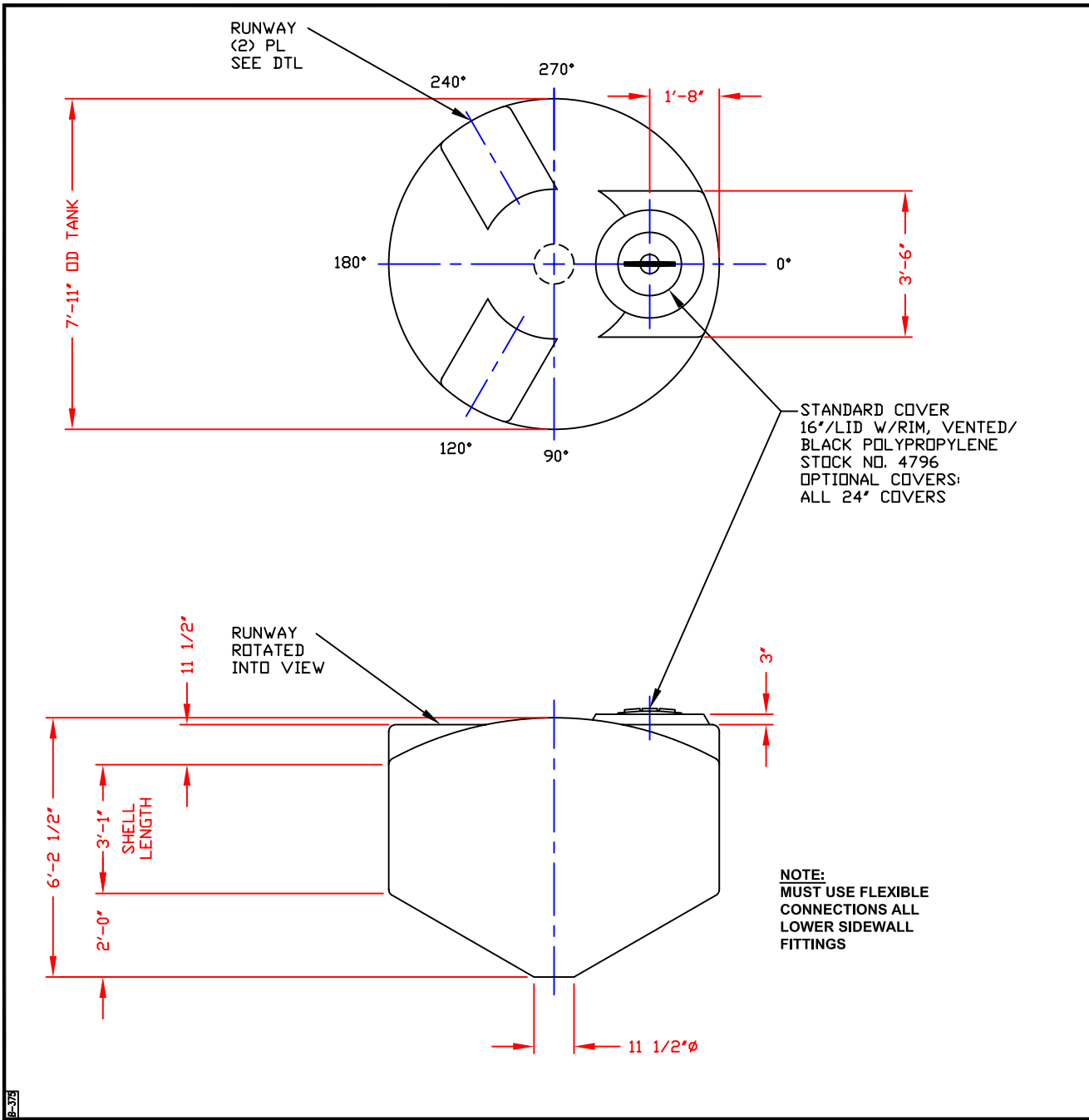


NON-CONTROLLED COPY
 INFORMATION SUBJECT TO CHANGE WITHOUT NOTICE
 VERIFY REV LEVEL OF PAPER COPY WITH REV LEVEL ON PPC WEB SITE



RUNWAY DETAIL
(2) PLACES

STANDARD COVER
 16\"/>


NOTES

1. THIS IS A COMPUTER GENERATED DWG. DO NOT REVISE BY HAND.
2. DIMENSIONS WILL VARY ±3% DUE TO VARIATIONS IN MULTIPLE MOLDS & CONDITIONS PREVALENT DURING MANUFACTURE & USAGE.
3. MOLDED IN GALLONAGE MARKERS IN MANWAY AREA IN 100 GALLON INCREMENTS UP TO 1600 GALLONS.

CALCULATED CAPACITIES/ VOLUME IN U.S. GALLONS		
DESIGN CAP	DOME VOL	TOTAL VOL
1396	198	1594

CONFIDENTIAL PROPERTY OF
 POLY PROCESSING COMPANY
 NOT FOR REPRINT OR USE
 WITHOUT PERMISSION

NOTE:
 MUST USE FLEXIBLE
 CONNECTIONS ALL
 LOWER SIDEWALL
 FITTINGS

DWG TITLE		1400 GAL 30° CONE BOTTOM TANK		
SCALE:	3/8"=1'-0"	 POLYPROCESSING COMPANY	Western Region	DR: J. BRANTLEY
DATE:	1/15/08		P.O. Box 80 8055 South Ash Street French Camp, CA 95231 (209) 982-4904 FAX (209) 982-0455	CK: W. MANUEL
		SHEET	COMPUTER FILE	REV
		1 OF 1	14001400	-