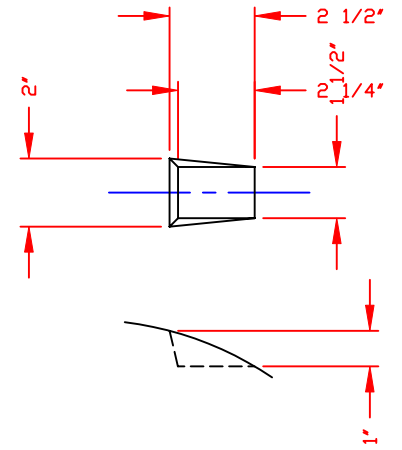


NON-CONTROLLED COPY
 INFORMATION SUBJECT TO CHANGE WITHOUT NOTICE
 COPY WILL NOT BE UPDATED

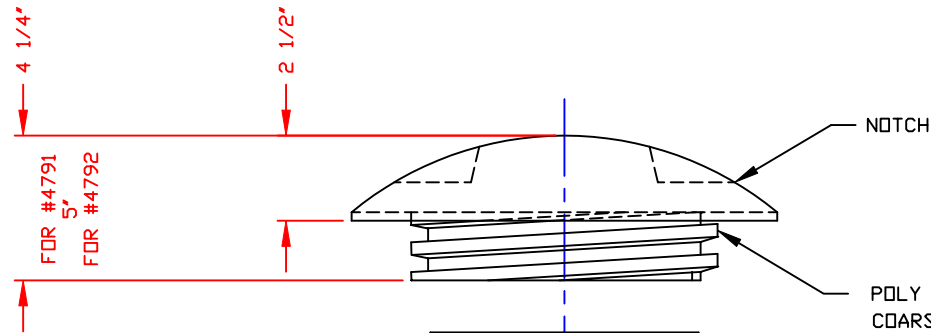
COPY ISSUED BY.....
 COPY ISSUED ON.....

1/4" NOM THK
 ROTATIONALLY MOLDED
 LOW DENSITY POLYETHYLENE

NOTCH
 (2) PL
 SEE DTL



NOTCH DETAIL
 (2) PLACES



FOR #4791
 5"
 FOR #4792

1/16" THK X 7 7/8" OD/PE
 PUSH PLATE
 PPC ITEM NO 3222

TYP COARSE THREAD CONE

3/8" THK X 7 7/8" OD
 X 5 1/2" ID GSKT/PE
 PPC ITEM NO 3223

NOTES

1. THIS IS A COMPUTER GENERATED DWG. DO NOT REVISE BY HAND.
2. STOCK NO. 4791 (BLACK), 4792 (WHITE)

CONFIDENTIAL PROPERTY OF
 POLY PROCESSING COMPANY
 NOT FOR REPRINT OR USE
 WITHOUT PERMISSION

DWG TITLE		10" MUSHROOM LID		
SCALE:	3"=1'-0"	POLY PROCESSING Company	Central Region P.O. Box 4150 (71211) 2281 Old Stevington Rd. Morgan, LA 71250 504-343-7565 FAX 504-343-6795	DR: J. BRANTLEY
DATE:	11/5/02		CK: MB WILKERSON	
		SHEET	COMPUTER FILE	REV
		1 OF 1	10MSLID	A