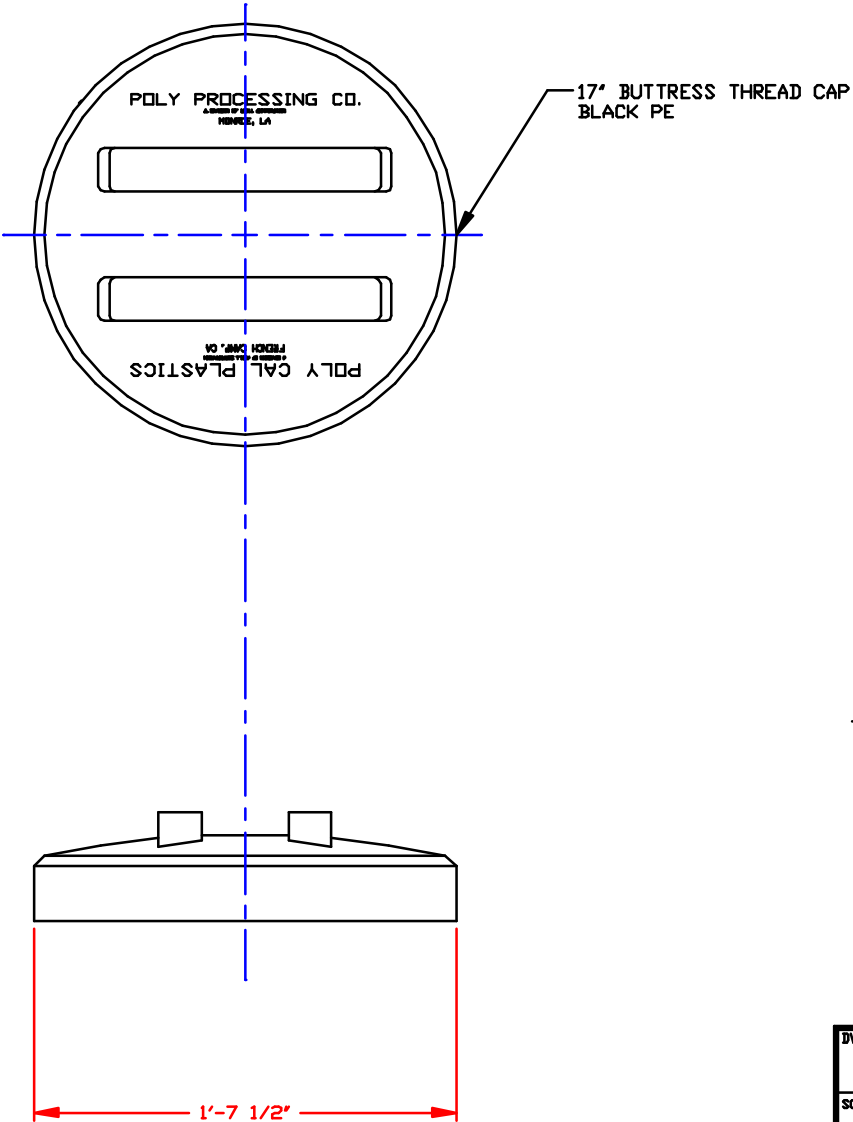


NON-CONTROLLED COPY INFORMATION SUBJECT TO CHANGE WITHOUT NOTICE COPY WILL <u>NOT</u> BE UPDATED	COPY ISSUED BY..... COPY ISSUED ON.....
--	--



**NOTES**  
 1. THIS IS A COMPUTER GENERATED DWG. DO NOT REVISE BY HAND.  
 2. PPC STOCK NO. 4558.

CONFIDENTIAL PROPERTY OF  
 POLY PROCESSING COMPANY  
 NOT FOR REPRINT OR USE  
 WITHOUT PERMISSION

DWG TITLE			
17' BUTTRESS THREAD CAP			
SCALE:	2"=1'-0"		DR: MB WILKERSON
DATE:	10/4/00		CK: J. BRANTLEY
		SHEET	COMPUTER FILE
		1 OF 1	17BTC
		REV	-