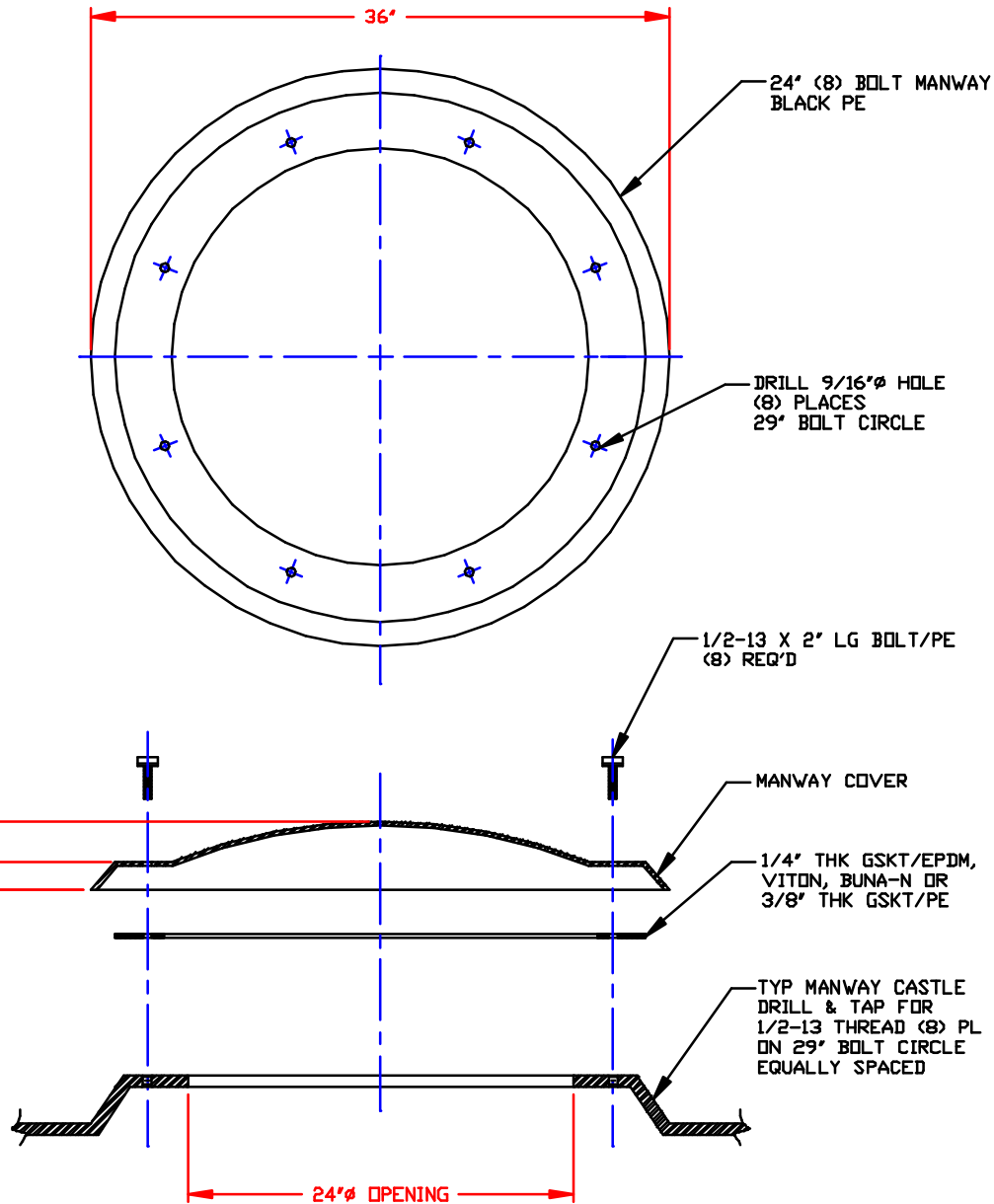


<p>NON-CONTROLLED COPY</p> <p>INFORMATION SUBJECT TO CHANGE WITHOUT NOTICE</p> <p>COPY WILL NOT BE UPDATED</p>	<p>COPY ISSUED BY.....</p> <p>COPY ISSUED ON.....</p>
--	---



- NOTES:**
1. THIS IS A COMPUTER GENERATED DWG. DO NOT REVISE BY HAND.
 2. PPC STOCK NO. 3218 (DOES NOT INCLUDE GASKET).
 3. ALSO AVAILABLE 16 BOLTS. PPC STOCK NO. 3219.

CONFIDENTIAL PROPERTY OF
POLY PROCESSING COMPANY
NOT FOR REPRINT OR USE
WITHOUT PERMISSION

DWG TITLE		24" (8) BOLT MANWAY COVER	
SCALE: 1 1/2"=1'-0"		Checked/Revised P.L. King / G.S. Cross	DR: MB WILKERSON
DATE: 10/4/00		DATE FOR QUOTATION NO. 2000-10-27 2000-10-27 FAX: (800) 649-0750	CK: J. BRANTLEY
SHEET		COMPUTER FILE	REV
1 OF 1		24MWY	-