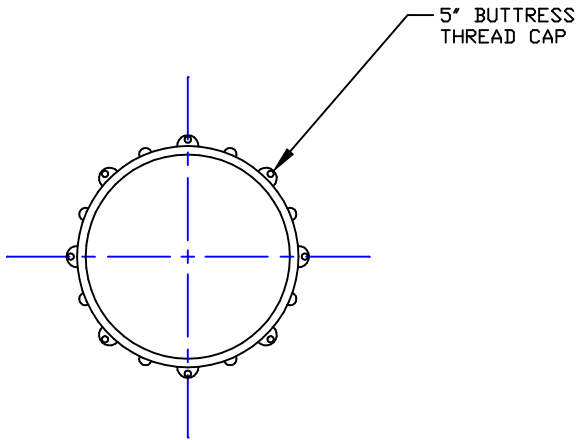
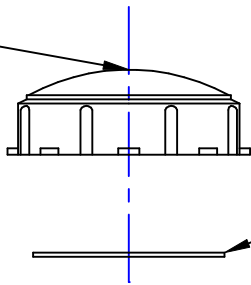


NON-CONTROLLED COPY INFORMATION SUBJECT TO CHANGE WITHOUT NOTICE COPY WILL <u>NOT</u> BE UPDATED	COPY ISSUED BY..... COPY ISSUED ON.....
--	--



5" BUTTRESS
THREAD CAP/
BLACK PE



1/8" THK X 5 5/8" OD
X 4 7/8" ID GSKT/EPDM
GSKT MUST BE PRESSED
INTO GROOVE MOLDED
INSIDE CAP
STOCK NO. 4739

NOTES

1. THIS IS A COMPUTER GENERATED DWG. DO NOT REVISE BY HAND.
2. PPC STOCK NO. 4562

CONFIDENTIAL PROPERTY OF
POLY PROCESSING COMPANY
NOT FOR REPRINT OR USE
WITHOUT PERMISSION

DWG TITLE			
5" BUTTRESS THREAD CAP			
SCALE:	3"=1'-0"		DR: MB WILKERSON
DATE:	10/4/00		CK: J. BRANTLEY
		SHEET	COMPUTER FILE
		1 OF 1	5BTC
			REV
			A

REV "A" REVISED & REDRAWN BY:JB 11/4/02 CK:MBW