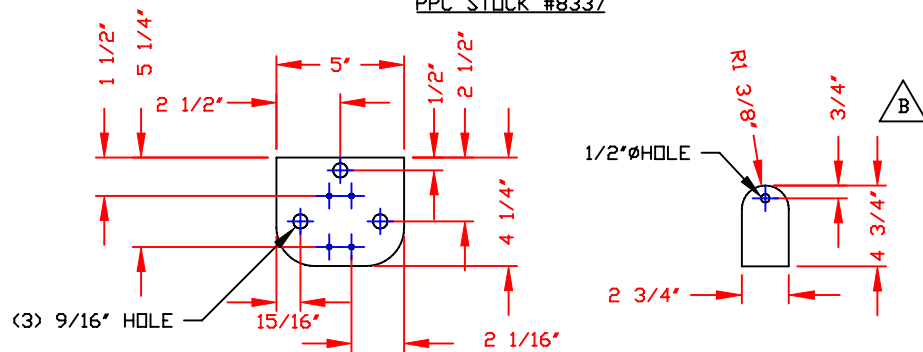
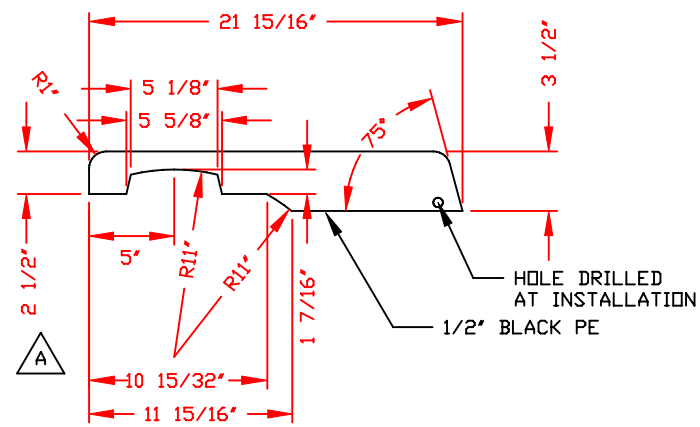
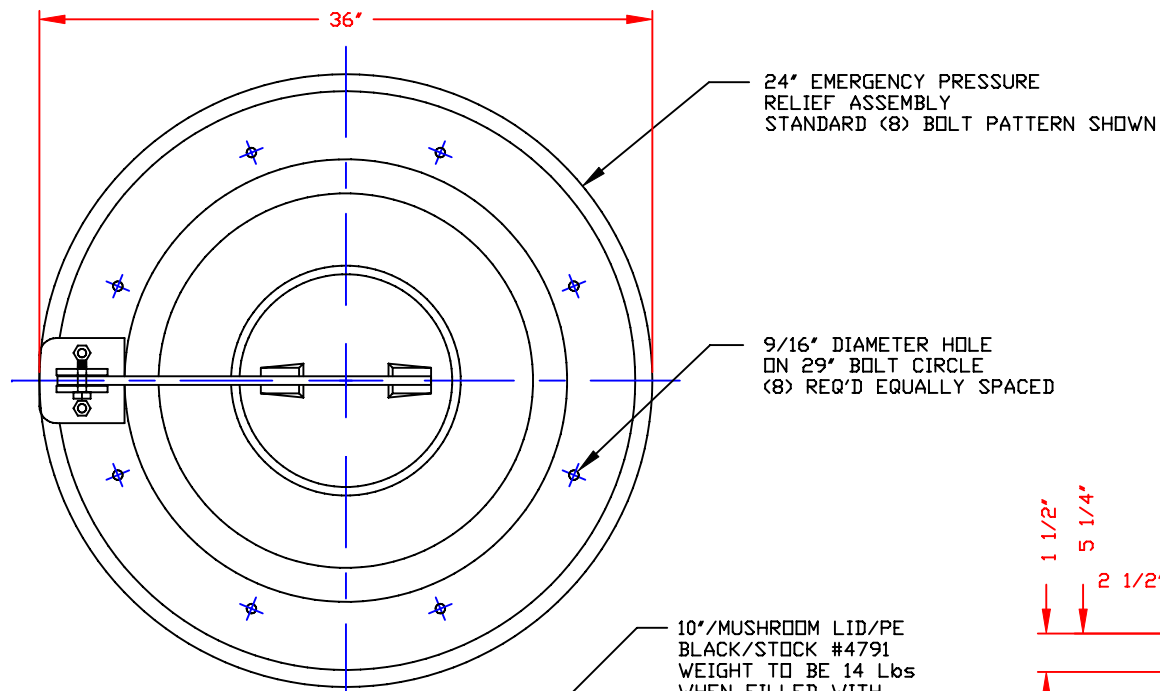


NON-CONTROLLED COPY
 INFORMATION SUBJECT TO CHANGE WITHOUT NOTICE
 VERIFY REV LEVEL OF PAPER COPY WITH REV LEVEL ON PPC WEB SITE

REV "A" MODIFIED HINGE ARM BY MBW 3/3/06 CK:BT
 REV "B" MODIFIED HINGE PLATE BY MBW 4/24/06 CK:BT




HINGE BRACKET DETAIL "A"
 PPC STOCK #8341

NOTES:

1. THIS IS A COMPUTER GENERATED DWG. DO NOT REVISE BY HAND.

CONFIDENTIAL PROPERTY OF POLY PROCESSING COMPANY NOT FOR REPRINT OR USE WITHOUT PERMISSION

DWG TITLE			
24" EMERGENCY PRESSURE RELIEF ASSEMBLY			
SCALE:	1 1/2"=1'-0"	 POLYPROCESSING COMPANY	DR:
DATE:	2/21/06		B THURMON
		<small>Central Region P.O. Box 4150 (71211) 2201 Old Starlington Rd. Metairie, LA 70002 CUB 343-7565 FAX 504-343-8790</small>	CK:
			J SUTTON
		SHEET	REV
		1 OF 1	B
		COMPUTER FILE	
		8340	

