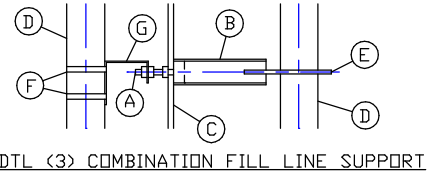
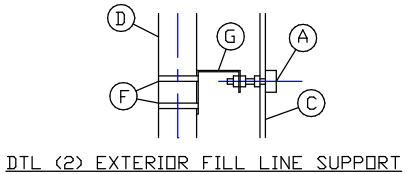
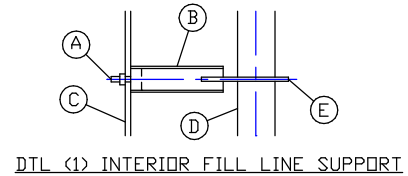
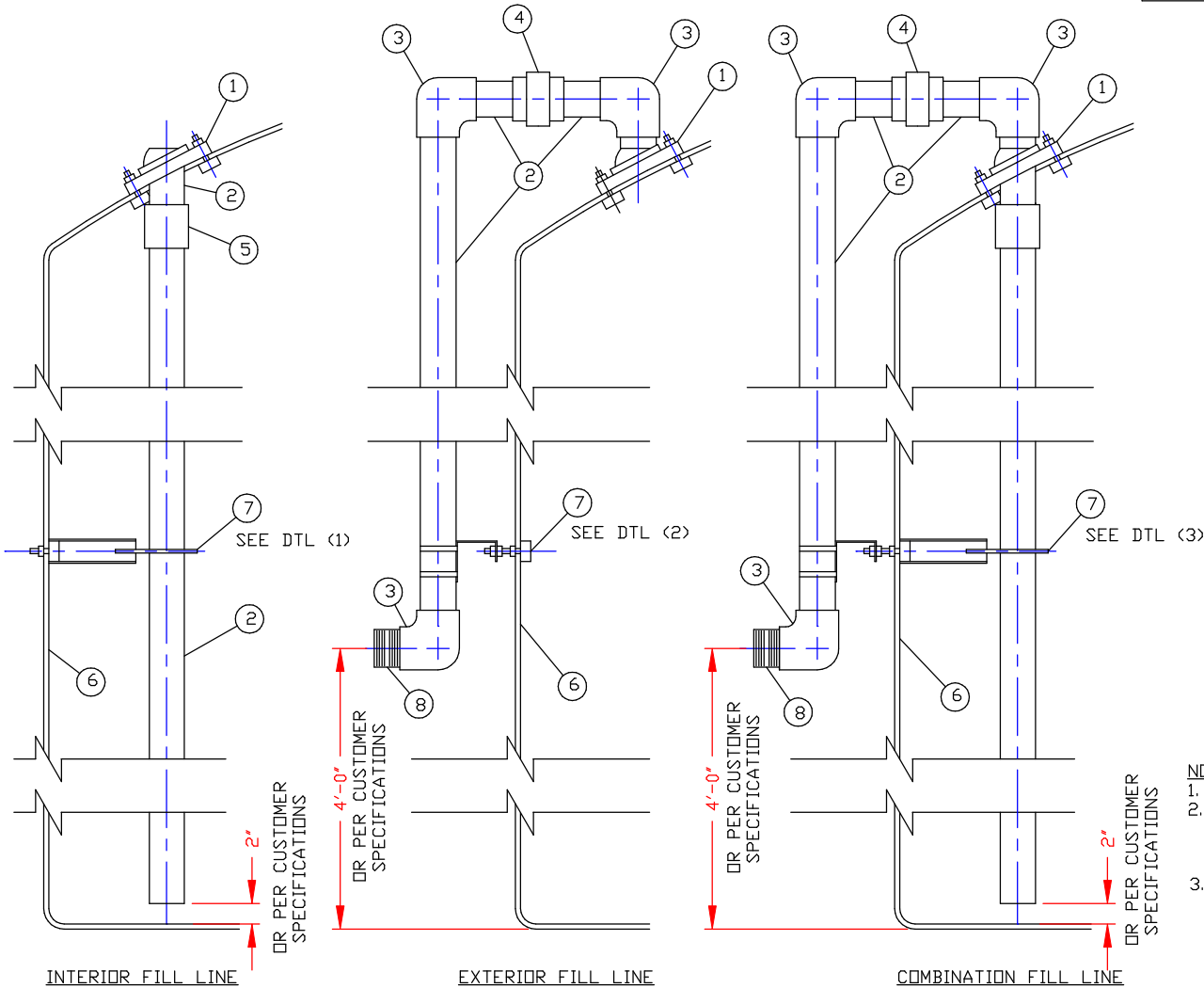


REV "A" REMOVED NOTES IN PARTS LIST BY:MBW 11/6/01 CK:JB  
 REV "B" NOTE 2 DID SAY " 6" PIPE SIZE", ADDED NOTE 3 BY:MBW 11/6/01 CK:JB



- (A) 1/2-13 STUD W/PE ENCAPSULATED HEAD
- (B) 2"/SCH 80 PIPE/PE
- (C) TANK WALL
- (D) PIPE
- (E) 3/8" THK PLATE/PE
- (F) PIPE CLAMPS/SS OR PPL
- (G) BRACKET/304SS
- (7) PIPE SUPPORT BRACKET DETAILS

**NOTES**

- THIS IS A COMPUTER GENERATED DWG. DO NOT REVISE BY HAND.
- DROP PIPE ASSEMBLIES AVAILABLE IN 1" TO 4" PIPE SIZE. PIPING AVAILABLE IN PVC OR PPL. BOLTING AVAILABLE IS 316SS, ALLOY C276, TITANIUM, ALLOY 400. GASKETS AVAILABLE IN EPDM, VITON, XLPE, & BUNA-N.
- CONTACT FACTORY FOR INFORMATION CONCERNING 6" PIPE SIZE

CONFIDENTIAL PROPERTY OF  
 POLY PROCESSING COMPANY  
 NOT FOR REPRINT OR USE  
 WITHOUT PERMISSION

- (1) UNIVERSAL BALL DOME FTG W/BOLTS W/GSKTS  
NOTE: 1" HAS NO BOLTS
- (2) SCH 80 PIPE  
NOTE: MAY BE THREADED
- (3) SCH 80 90° ELL
- (4) UNION
- (5) SCH 80 COUPLING (S X T)
- (6) TANK WALL
- (7) PIPE SUPPORT BRACKET
- (8) SHORT NIPPLE (T X T)

DWG TITLE		FILL LINE ASSEMBLIES	
SCALE:	1"=1'-0"		DR: MB WILKERSON
DATE:	8/16/00		CK: J. BRANTLEY
		SHEET	COMPUTER FILE
		1 OF 1	FILLASMBY B