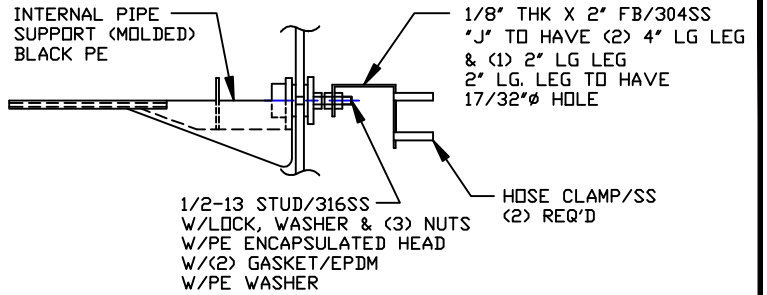


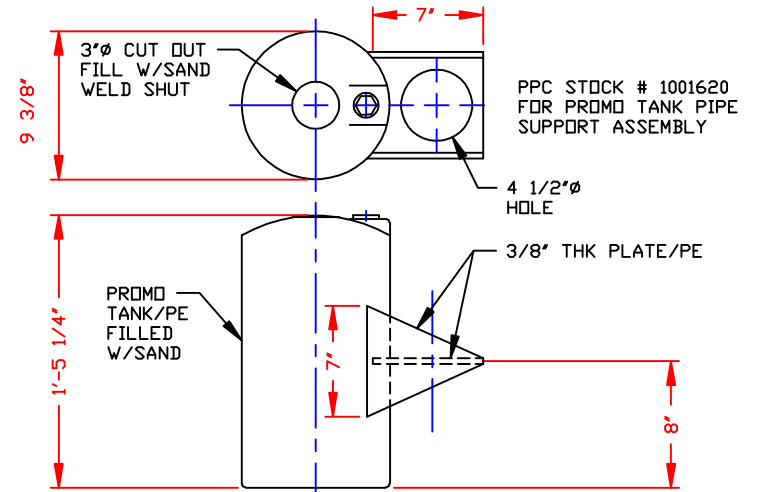
PVC FLOAT TYPE SIGHT GAGE
 PPC STOCK # 4089 FOR VERTICAL
 TANKS UNDER 7 FEET TALL
 PPC STOCK # 3356 FOR VERTICAL
 TANKS OVER 7 FEET TALL

PIPE SUPPORT BOLT TYPE	PPC STOCK NOS	
	EXTERIOR ONLY	INTERIOR/ EXTERIOR
316SS	3198	3198
ALLOY 400	3201	3201
TITANIUM	3204	3204
ALLOY C-276	3207	3207
GASKET PPC STOCK NOS.		
EPDM XLPE	BUNA	VITON
3209	2751	2752
	2752	2759
	2759	2766



**TO BE USED ONLY WHEN FITTING HAS OPTIONAL PIPING ON THE INSIDE OF THE TANK. PROMO TANK PIPE SUPPORT REQ'D FOR PIPING INSIDE SAFE-TANK ASSEMBLIES

PIPE SUPPORT
 SCALE: 1 1/2"=1'-0"



PROMO TANK PIPE SUPPORT
 SCALE: 1 1/2"=1'-0"

WHEN PROMO TANK PIPE SUPPORT IS USED INSIDE PIPING WILL BE SHIPPED LOOSE.
 NOTES
 1. THIS IS A COMPUTER GENERATED DWG. DO NOT REVISE BY HAND.

DWG TITLE			
FLOAT TYPE SIGHT GAUGE			
SCALE: 6"=1'-0"		Control Region P.O. Box 4500 (71521) 25th Old Springton Rd. New Orleans, LA 70002 CEN 343-7862 FAX (504) 343-9795	DR: J. BRANTLEY
DATE: 10/16/09		SHEET 1 OF 1	CK: B. THURMON

