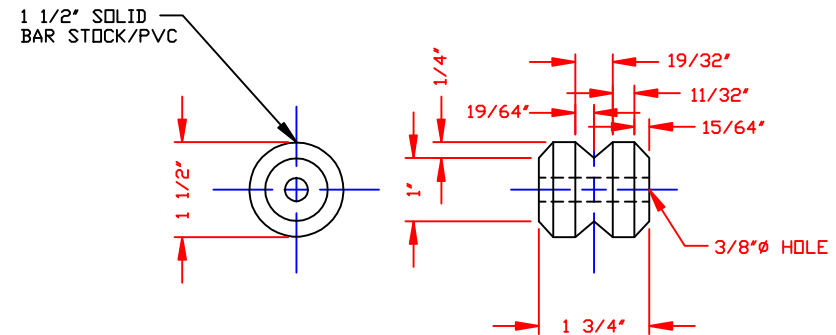
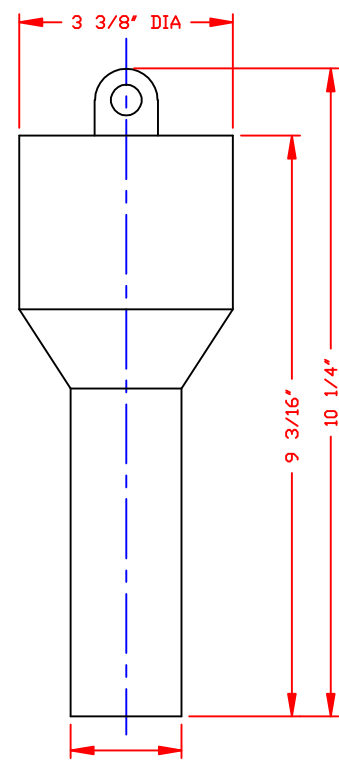


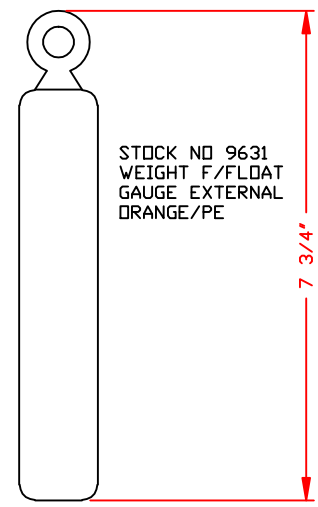
90° ELBOW W/ROLLER PULLEY  
(2) REQ'D



ROLLER PULLEY DETAIL  
(2) REQ'D




1 3/4" DIA  
FLOAT  
(1) REQ'D



LEVEL INDICATOR  
(1) REQ'D

STOCK NO 9631  
WEIGHT F/FLOAT  
GAUGE EXTERNAL  
ORANGE/PE

NOTES  
1. THIS IS A COMPUTER GENERATED DWG. DO NOT REVISE BY HAND.

DWG TITLE			
FLOAT TYPE SIGHT GAUGE WEIGHT & PULLEY			
SCALE:	SCALE: NONE	 <b>POLY PROCESSING</b> COMPANY, LLC	DR: J. BRANTLEY
DATE:	10/16/09		Central Region P.O. Box 4530 #1253D 2501 Old Shreveport Rd. Monroeville, LA 70508 CSD: 343-7823 FAX: (504) 343-9795
		SHEET	COMPUTER FILE
		1 OF 1	FTSGWP -