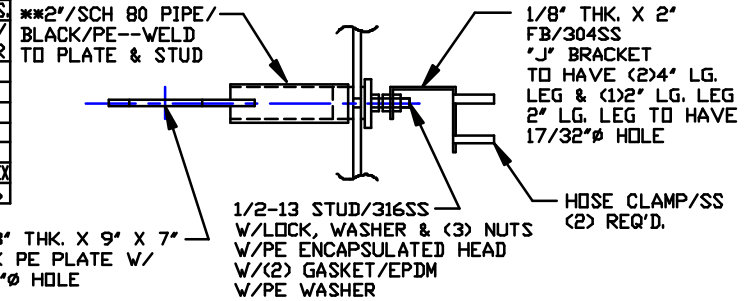


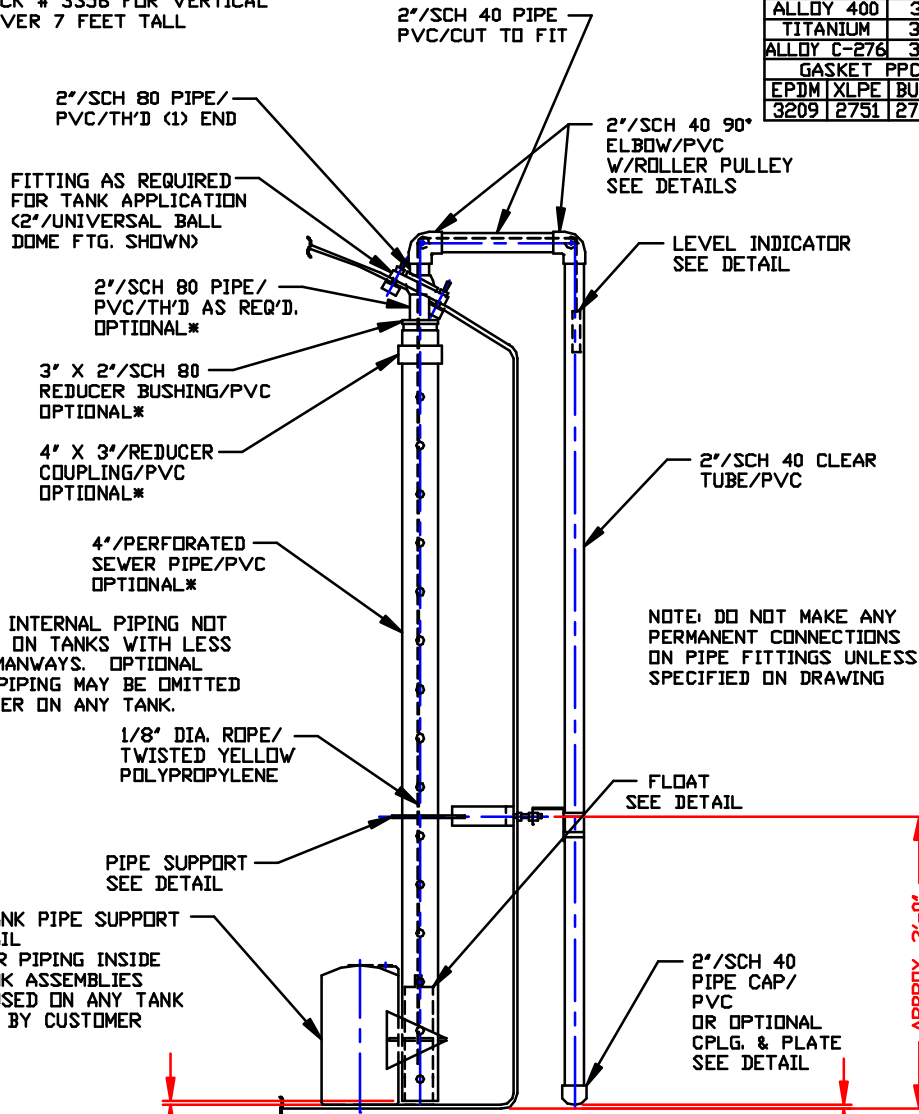
D PVC FLOAT TYPE SIGHT GAGE
 PPC STOCK # 4089 FOR VERTICAL
 TANKS UNDER 7 FEET TALL
 PPC STOCK # 3356 FOR VERTICAL
 TANKS OVER 7 FEET TALL

D

PIPE SUPPORT PPC STOCK NOS.				
BOLT TYPE	EXTERIOR ONLY	INTERIOR/EXTERIOR		
316SS	3198	3198		
ALLOY 400	3201	3201		
TITANIUM	3204	3204		
ALLOY C-276	3207	3207		
GASKET PPC STOCK NOS.				
EPDM	XLPE	BUNA	VITON	GRE-TEX
3209	2751	2752	2759	2766



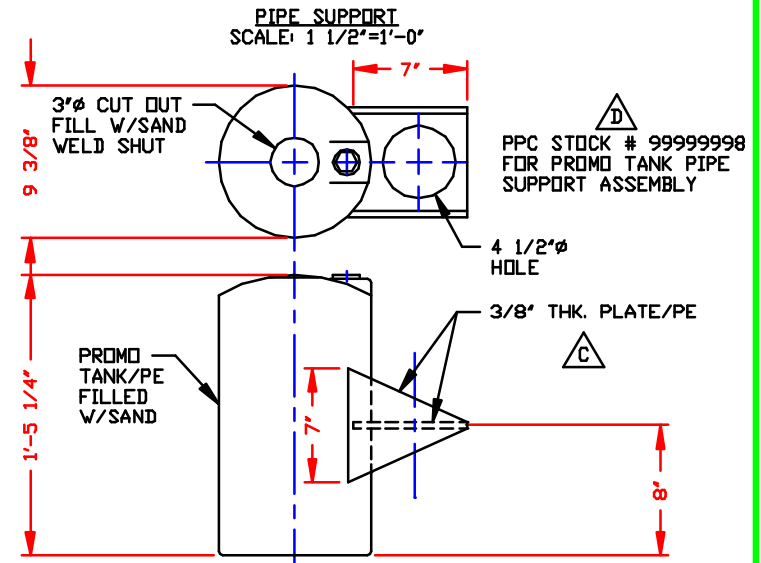
****TO BE USED ONLY WHEN FITTING HAS OPTIONAL PIPING ON THE INSIDE OF THE TANK. PROMD TANK PIPE SUPPORT REQ'D FOR PIPING INSIDE SAFE-TANK ASSEMBLIES.**



LEAVE 1/4"-1/2" PLAY (at bottom left)

LEAVE 1/4"-1/2" PLAY (at bottom right)

ASSEMBLY DETAIL SCALE: 3/4"=1'-0"



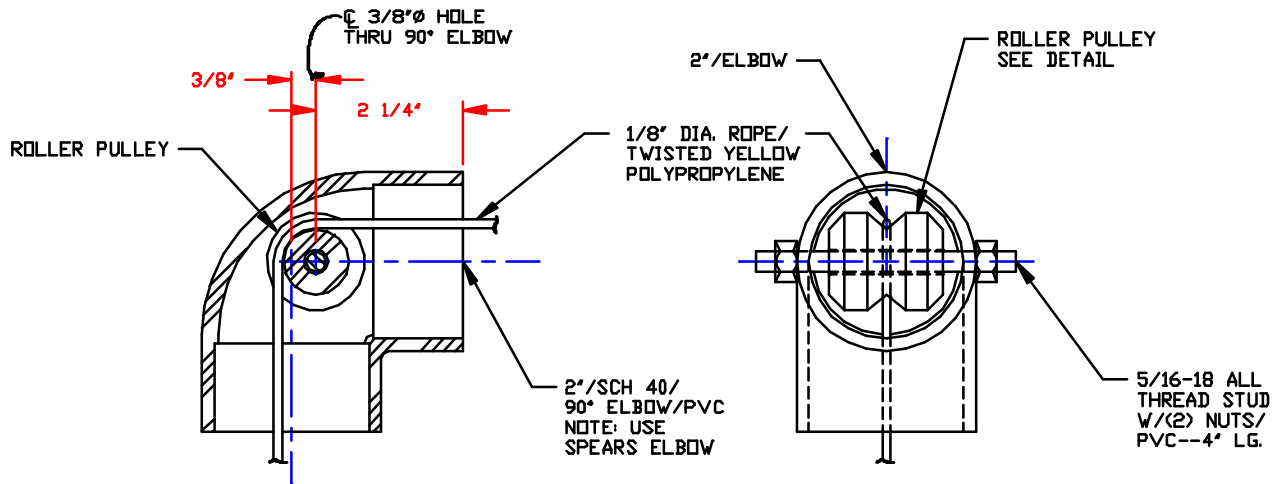
PROMD TANK PIPE SUPPORT SCALE: 1 1/2"=1'-0"

WHEN PROMD TANK PIPE SUPPORT IS USED INSIDE PIPING WILL BE SHIPPED LOOSE.

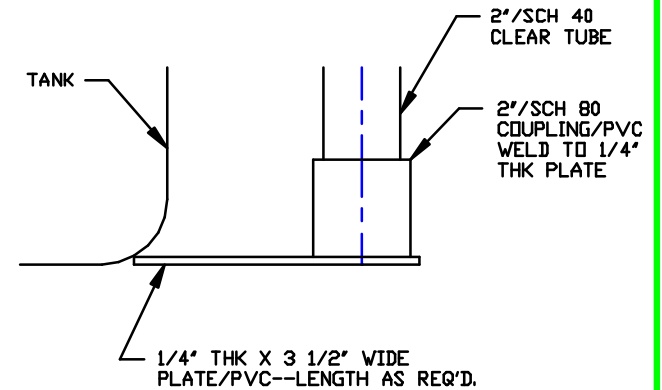
NOTES

1. THIS IS A COMPUTER GENERATED DWG. DO NOT REVISE BY HAND.
2. COMPUTER DRAWING NAME "FTSGA,"=SHEET 1, "FTSGB,"=SHEET 2, "FTSGC,"=SHEET 3.
3. THIS DRAWING REPLACES DRAWING NO. PPC071585-1, TITLE, "FLOAT TYPE SIGHT GAGE."

DWG TITLE		FLOAT TYPE SIGHT GAGE	
SCALE:	NONE	POLY PROCESSING CO.	DR. D. RECTOR
DATE:	4-11-96		CK. E.T./W.T.
		SHEET:	REV.
		1 OF 3	PPC041196-1 D

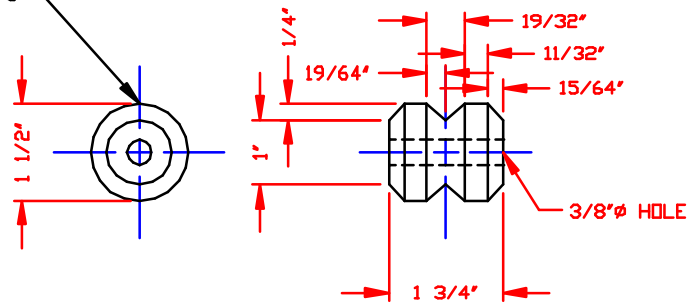


90° ELBOW W/ROLLER PULLEY
(2) REQ'D.



OPTIONAL COUPLING & PLATE DETAIL
SCALE: 3" = 1'-0"

1 1/2" SOLID BAR STOCK/PVC



ROLLER PULLEY
(2) REQ'D.

NOTES

1. THIS IS A COMPUTER GENERATED DWG. DO NOT REVISE BY HAND.
2. COMPUTER DRAWING NAME "FTSGA,"=SHEET 1, "FTSGB,"=SHEET 2, "FTSGC,"=SHEET 3.
3. THIS DRAWING REPLACES DRAWING NO. PPC071585-1, TITLE, "FLOAT TYPE SIGHT GAGE."

DWG TITLE		FLOAT TYPE SIGHT GAGE	
SCALE:	6"=1'-0"	POLY PROCESSING CO.	DR. D. RECTOR
DATE:	4-11-96		CK. E.T./W.T.
		SHEET:	DWG. NO.
		2 OF 3	PPC041196-1 D

