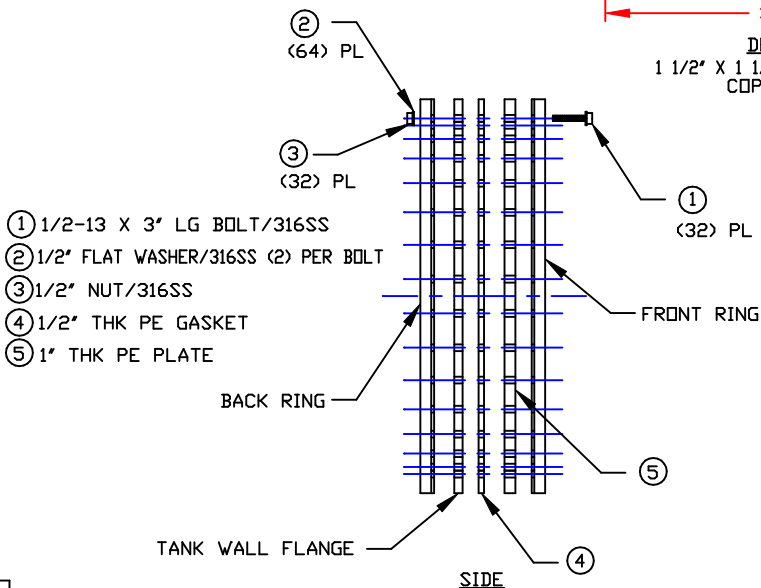
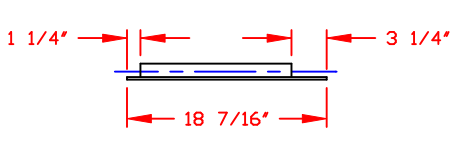
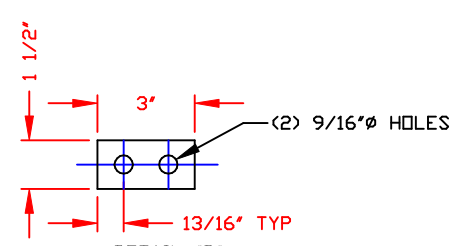
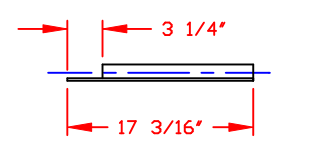
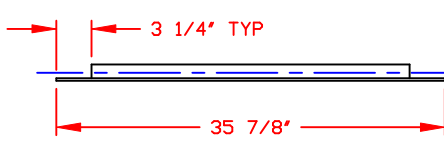
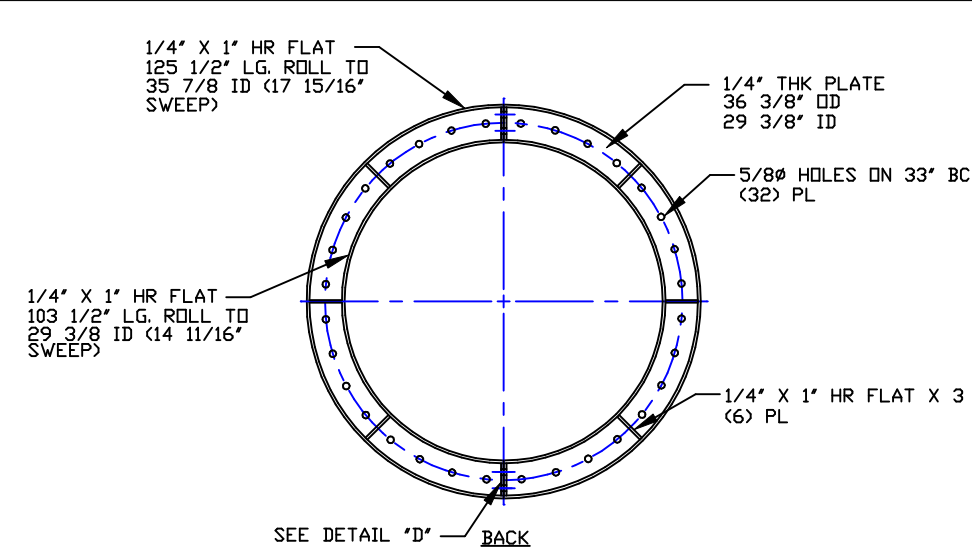
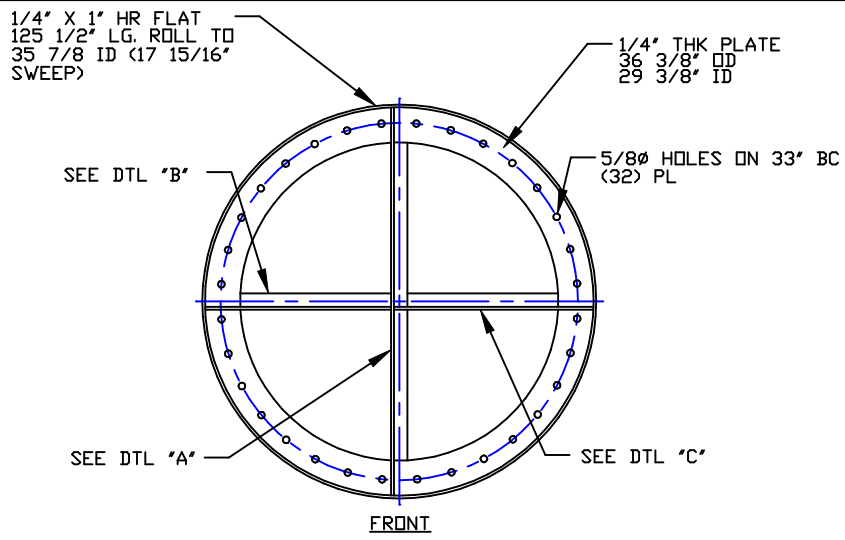


NON-CONTROLLED COPY
 INFORMATION SUBJECT TO CHANGE WITHOUT NOTICE
 COPY WILL NOT BE UPDATED

COPY ISSUED BY _____
 COPY ISSUED ON _____



NOTES:
 1. THIS IS COMPUTER GENERATED DWG.
 DO NOT REVISE BY HAND.
 2. MATERIAL OF CONSTRUCTION:
 CARBON STEEL/BLUE OR
 STAINLESS STEEL/UNPAINTED

CONFIDENTIAL PROPERTY OF
 POLY PROCESSING COMPANY
 NOT FOR REPRINT OR USE
 WITHOUT PERMISSION

DWG TITLE		MOLDED SIDE MANWAY COVER	
SCALE:	1"=1'-0"		DR: MB WILKERSON
DATE:	7/30/01		CK: J. BRANTLEY
		SHEET	COMPUTER FILE
		1 OF 1	MOLDEDSIDEMWY -