

TANK WALL
INSIDE
NOTE: TANK WALL
CONFIGURATION
MAY VARY--
SEE TANK DWG.

RING 6" SPLIT
BACK-UP TAPERED
(SEE DTL)

6"/150# FLANGE/
SCH 80/SOCKET/
PVC, PP OR CPVC

3/16" THK
SHEET

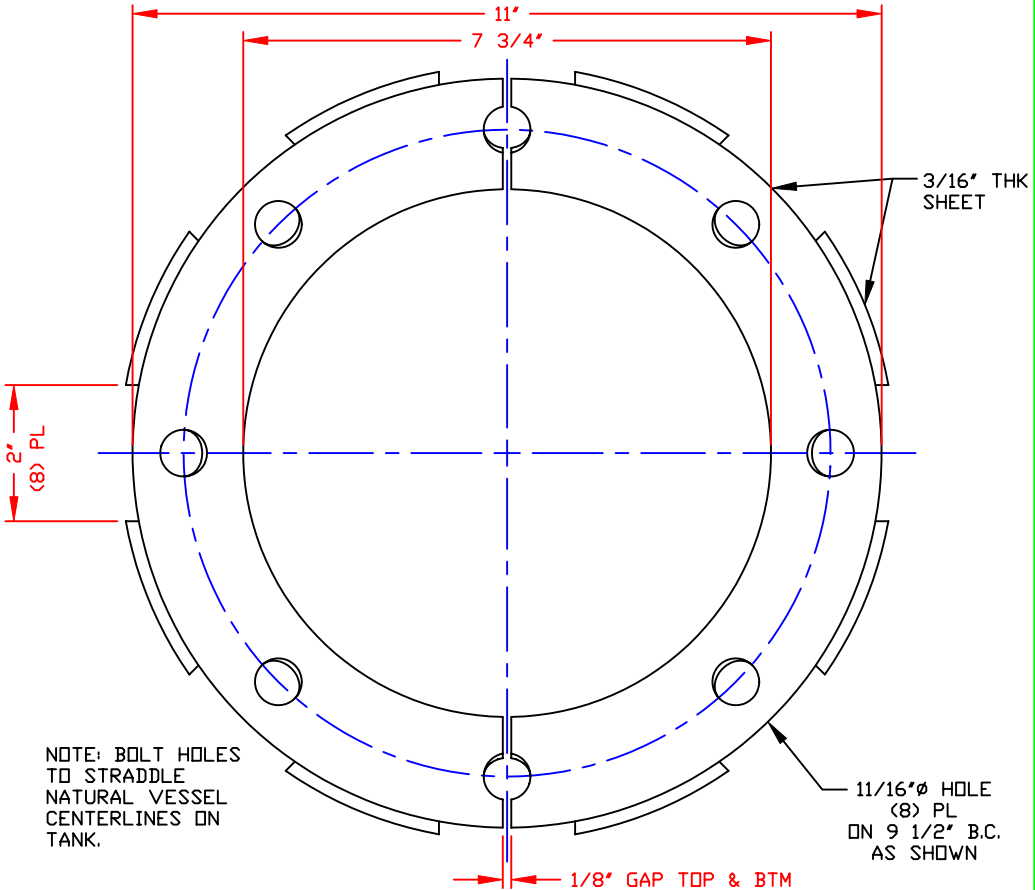
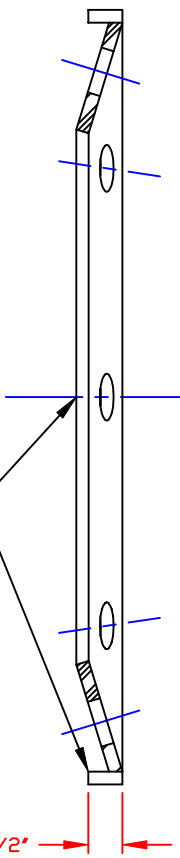
1/2"

5/8"/SQUARE BEVEL
WASHER/BLACK PE
(8) REQ'D
PPC ITEM NO. 5165

6"/FF FLANGE
GASKET/EPDM,
VITON, XLPE
OR BUNA-N

1/2-13 BOLTS
W/(2) WASHER
W/LOCK WASHER
W/1/2-13 NUT/
316SS, ALLOY C-276,
TITANIUM OR MONEL
(8) REQ'D

4" TAPERED IMFO NOZZLE ASSEMBLY DETAIL



NOTE: BOLT HOLES
TO STRADDLE
NATURAL VESSEL
CENTERLINES ON
TANK.

RING 6" SPLIT BACK-UP TAPERED
SCALE: 6"=1'-0"
PPC ITEM NO. 6091 FOR SS 316L

- NOTES**
1. THIS IS A COMPUTER GENERATED DRAWING. DO NOT REVISE BY HAND.
 2. COMPUTER FILE NAME, "T4IMFD."
 3. IF NECESSARY, TIGHTEN THE BOLTS ON THE FITTING BY PULLING DOWN THE NUTS DIAMETRICALLY OPPOSITE EACH OTHER IN SMALL INCREMENTS, USING A TORQUE WRENCH. TORQUE TO APPROX. 15/20 FT. LBS.

DWG. TITLE		6"/TAPERED IMFO NOZZLE		
SCALE:	3"=1'-0"	POLY PROCESSING CO.	DR. D. RECTOR	
DATE:	7-13-98		CK. W. THURMON	
		SHEET:	DWG. NO.	REV.
		1 OF 1	PPC071098-2	-