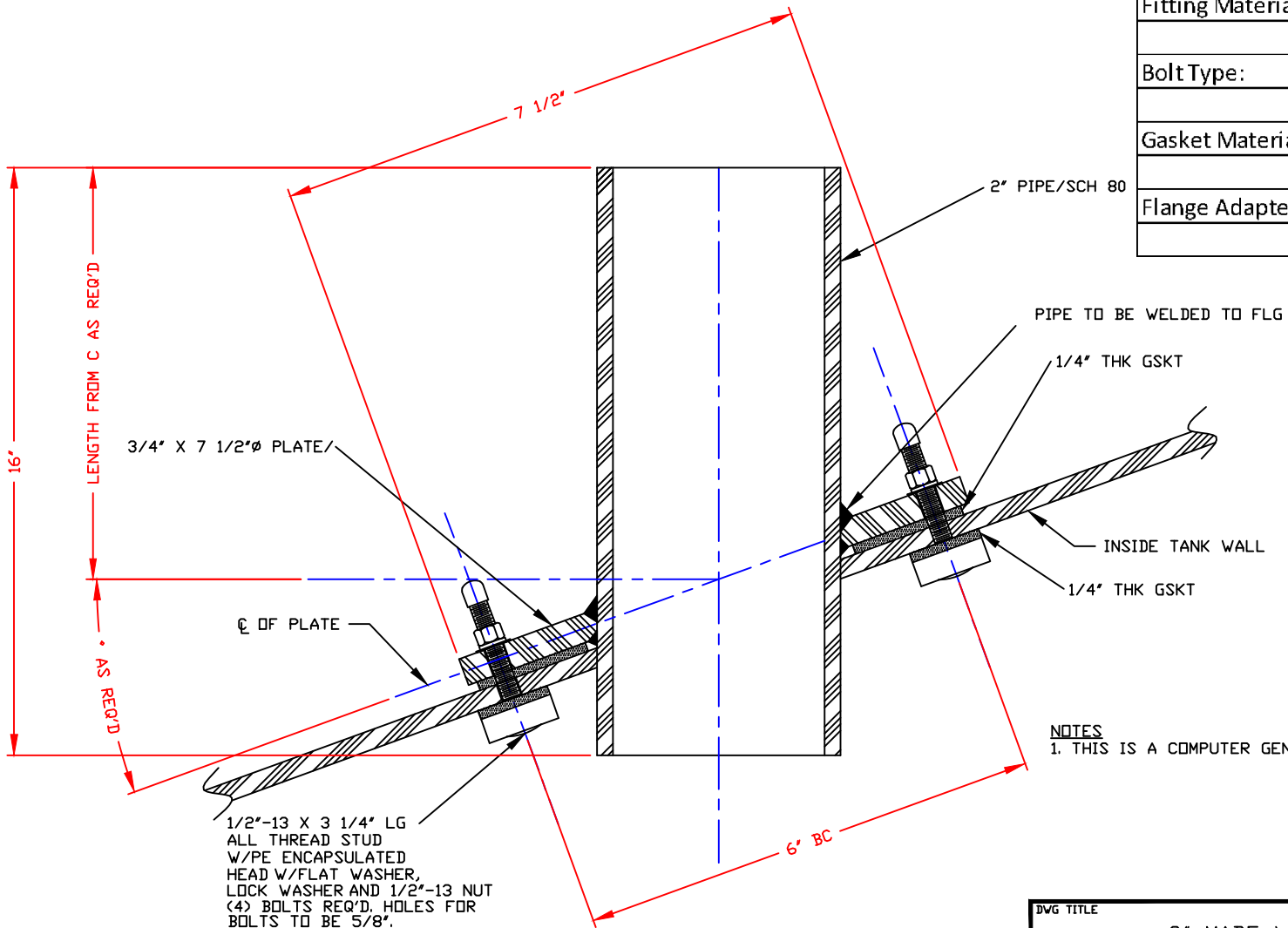



NON-CONTROLLED COPY
 INFORMATION SUBJECT TO CHANGE WITHOUT NOTICE
 VERIFY REV LEVEL OF PAPER COPY WITH REV LEVEL ON PPC WEB SITE

Fitting Material:
Bolt Type:
Gasket Material:
Flange Adapter Req'd:



NOTES
 1. THIS IS A COMPUTER GENERATED DWG. DO NOT REVISE BY HAND.

DWG TITLE			
2" MADE VERTICAL FITTING			
SCALE: NONE	 Central Region P.O. Box 4188 Grimes 2281 Old Shreveport Rd Norcross, LA 72805 CSD 343-7823 FAX 336-343-9795	DR: C. DAVIES	
DATE: 4/28/10		CK: J. BRANTLEY	
		SHEET	REV
		1 OF 1	TTDFTG2M -