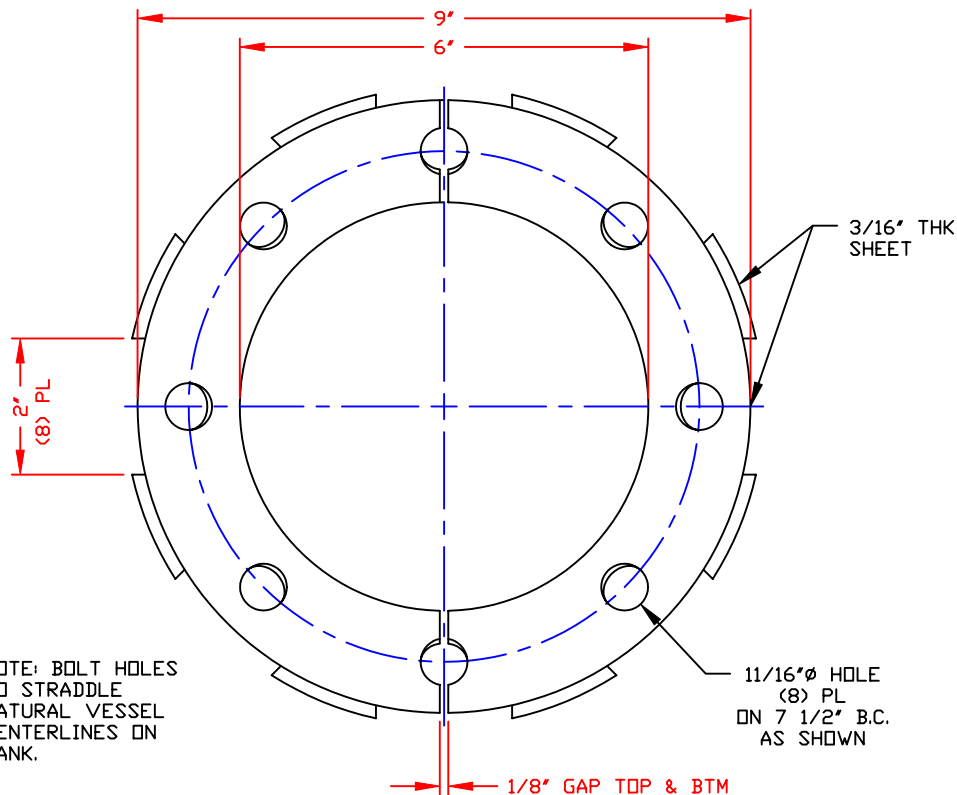
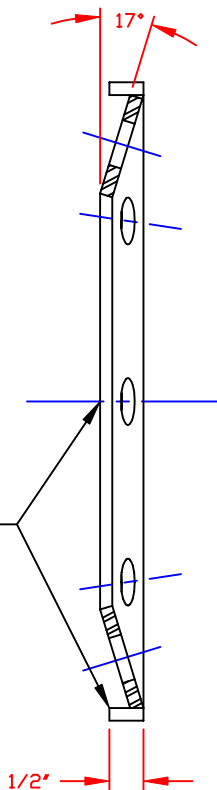


TANK WALL INSIDE
NOTE: TANK WALL CONFIGURATION MAY VARY-- SEE TANK DWG.

RING 4" SPLIT BACK-UP TAPERED (SEE DTL)

3/16" THK SHEET



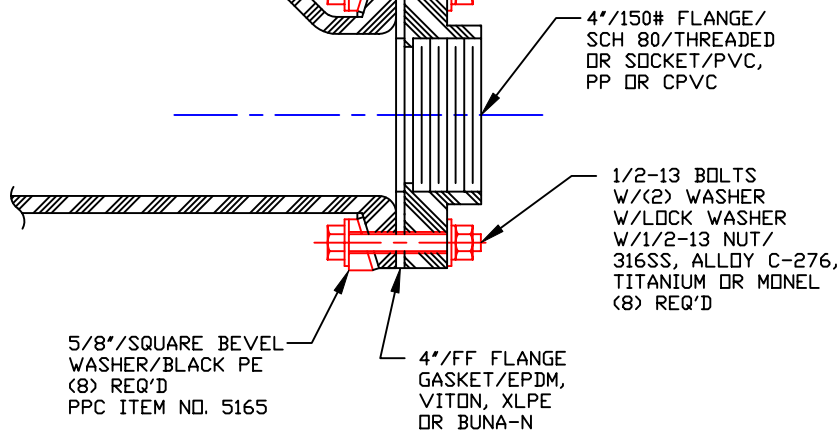
NOTE: BOLT HOLES TO STRADDLE NATURAL VESSEL CENTERLINES ON TANK.

11/16" Ø HOLE (8) PL ON 7 1/2" B.C. AS SHOWN

RING 4" SPLIT BACK-UP TAPERED
SCALE: 6"=1'-0"
PPC ITEM NO. 5080 FOR SS 316L

NOTES

1. THIS IS A COMPUTER GENERATED DRAWING. DO NOT REVISE BY HAND.
2. COMPUTER FILE NAME, "T4IMFD."
3. IF NECESSARY, TIGHTEN THE BOLTS ON THE FITTING BY PULLING DOWN THE NUTS DIAMETRICALLY OPPOSITE EACH OTHER IN SMALL INCREMENTS, USING A TORQUE WRENCH. TORQUE TO APPROX. 15/20 FT. LBS.



5/8" / SQUARE BEVEL WASHER/BLACK PE (8) REQ'D
PPC ITEM NO. 5165

4" / FF FLANGE GASKET/EPDM, VITON, XLPE OR BUNA-N

1/2-13 BOLTS W/(2) WASHER W/LOCK WASHER W/1/2-13 NUT/ 316SS, ALLOY C-276, TITANIUM OR MONEL (8) REQ'D

4" / 150# FLANGE/ SCH 80/ THREADED OR SOCKET/PVC, PP OR CPVC

4" TAPERED IMFO NOZZLE ASSEMBLY DETAIL

DWG. TITLE		4" / TAPERED IMFO NOZZLE		
SCALE:	3"=1'-0"	POLY PROCESSING CO.	DR. D. RECTOR	
DATE:	7-13-98		CK. W. THURMON	
		SHEET:	DWG. NO.	REV.
		1 OF 1	PPC071098-1	-