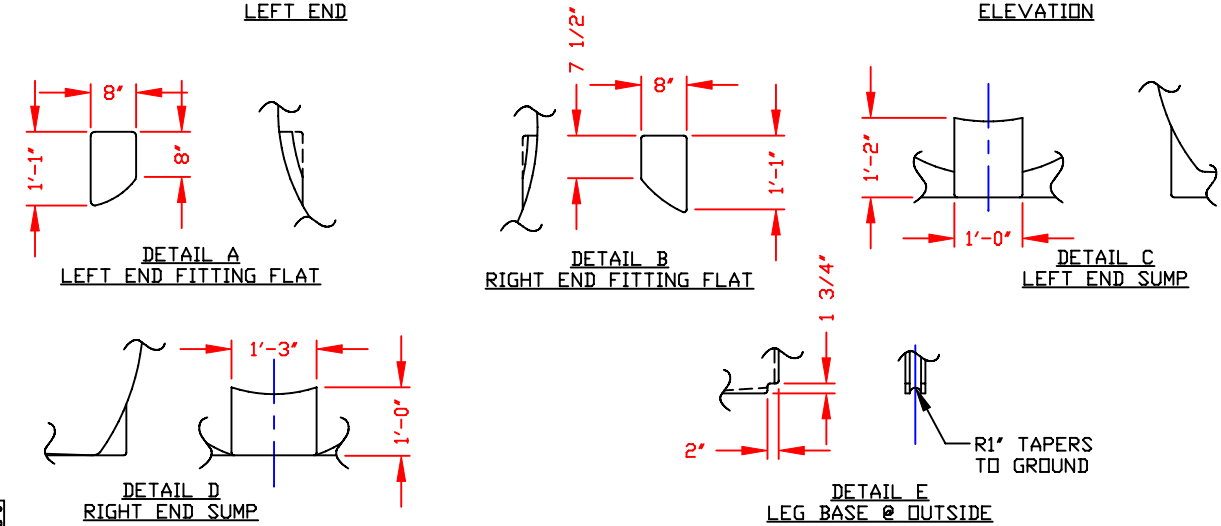
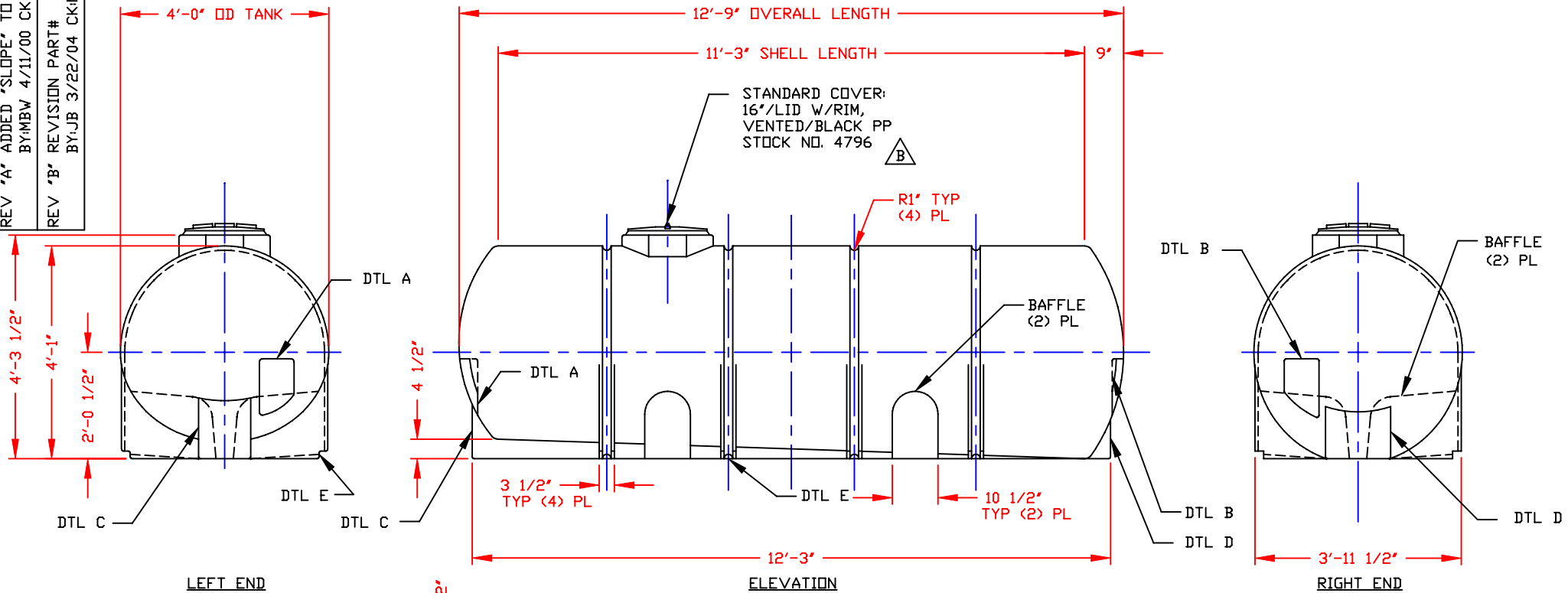


NON-CONTROLLED COPY
 INFORMATION SUBJECT TO CHANGE WITHOUT NOTICE
 VERIFY REV LEVEL OF PAPER COPY WITH REV LEVEL ON PPC WEB SITE

REV 'A' ADDED 'SLOPE' TO TITLE
 BY:MBW 4/11/00 CK:DR
 REV 'B' REVISION PART#
 BY:JB 3/22/04 CK:MBW



- NOTES**
1. THIS IS A COMPUTER GENERATED DWG. DO NOT REVISE BY HAND.
 2. DIMENSIONS WILL VARY ±3% DUE TO VARIATIONS IN MULTIPLE MOLDS & CONDITIONS PREVALENT DURING MANUFACTURE & USAGE.
 3. MOLDED IN GALLONAGE MARKERS IN 100 GALLON INCREMENTS UP TO 1000 GALLONS, WITH TIC MARKS EVERY 50 GALLONS ON BOTH ENDS.

CALCULATED CAPACITIES/ VOLUME IN U.S. GALLONS
DESIGN CAPACITY
1050

CONFIDENTIAL PROPERTY OF
 POLY PROCESSING COMPANY
 NOT FOR REPRINT OR USE
 WITHOUT PERMISSION

DWG TITLE A 1050 GALLON HORIZONTAL SLOPE LEG TANK			
SCALE: 1/2"=1'-0"	 POLYPROCESSING COMPANY	Central Region P.O. Box 4150 (71211) 2201 Old Sterlington Rd. Norcross, LA 70052 CUB 343-7565 FAX 3350-343-8795	DR: MB WILKERSON
DATE: 2/9/00		CK: D. RECTOR	
SHEET 1 OF 1		COMPUTER FILE 3401050	REV B