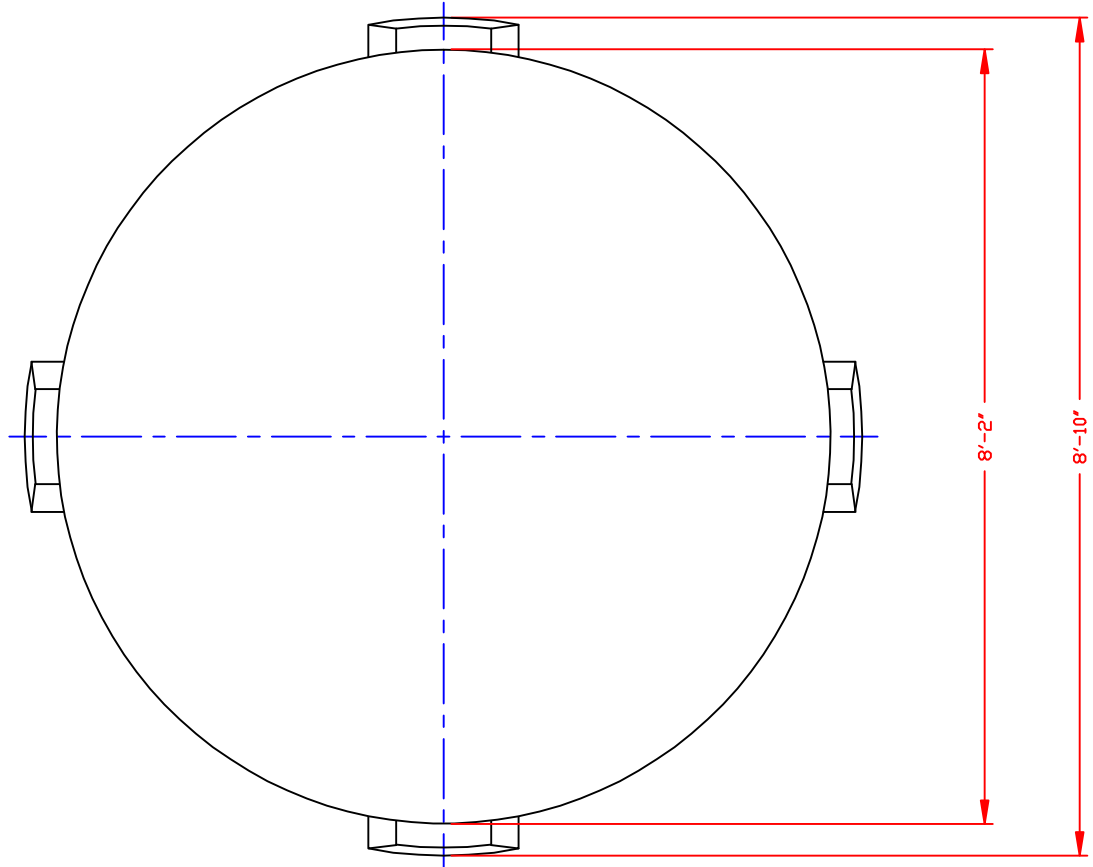
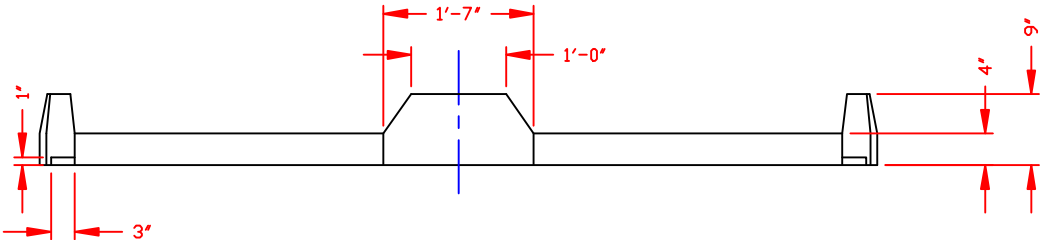


NON-CONTROLLED COPY
 INFORMATION SUBJECT TO CHANGE WITHOUT NOTICE
 VERIFY REV LEVEL OF PAPER COPY WITH REV LEVEL ON PPC WEB SITE



NOTES
 1. THIS IS A COMPUTER GENERATED DWG. DO NOT REVISE BY HAND.
 2. DIMENSIONS WILL VARY ±3% DUE TO VARIATIONS IN MULTIPLE MOLDS & CONDITIONS PREVALENT DURING MANUFACTURE & USAGE.

CONFIDENTIAL PROPERTY OF
 PDLY PROCESSING COMPANY
 NOT FOR REPRINT OR USE
 WITHOUT PERMISSION



REV "A" REVISED DIAMETER BY:JB 11/17/09 CK:WM

DWG TITLE			
PAD FOR 8' OD IMFO TANK			
SCALE:	3/4"=1'-0"	 POLY PROCESSING COMPANY	DR:
DATE:	11/17/99		<small>Central Region P.O. Box 4550 • 71521 25th Old Springton Rd. Norwego, LA 71060 CEN 343-7825 FAX 338-9795</small>
			CK:
			D. RECTOR
		SHEET	COMPUTER FILE
		1 OF 1	8000008
			REV
			A