

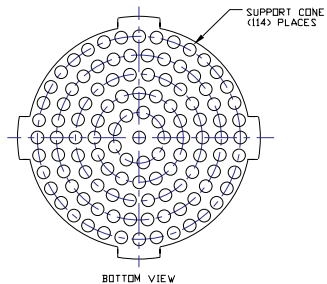
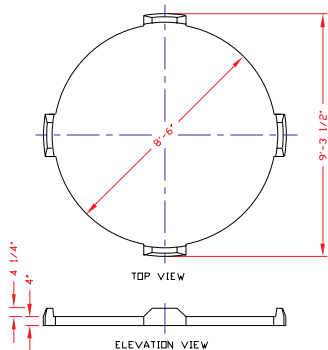
NON-CONTROLLED COPY

INFORMATION SUBJECT TO CHANGE WITHOUT NOTICE

COPY WILL NOT BE UPDATED

COPY ISSUED BY.....

COPY ISSUED ON.....



**NOTES**

1. THIS IS A COMPUTER GENERATED DWG. DO NOT REVISE BY HAND.
2. DIMENSIONS WILL VARY ±3% DUE TO VARIATIONS IN MULTIPLE MOLDS & CONDITIONS PREVALENT DURING MANUFACTURE & USAGE.

CONFIDENTIAL PROPERTY OF  
POLY PROCESSING COMPANY  
NOT FOR REPRINT OR USE  
WITHOUT PERMISSION

DWG TITLE			
PAD FOR 8'-6" OD IMFO TANK			
SCALE:	3/8"=1'-0"	<b>POLY PROCESSING</b> Company	<small>Central Region 7500 Hwy. 100, Toledo, OH 46000-0000 760-860-1000 760-860-5555 ext</small>
DATE:	11/19/99	DR:	MB WILKERSON
		DC:	D. RECTOR
		SHEET	COMPUTER FILE
		1 OF 1	8000086
			REV -