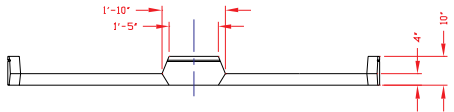
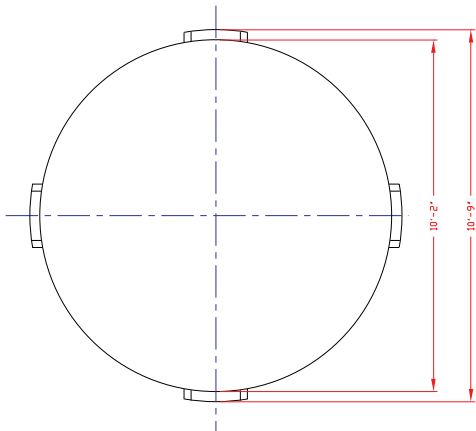


NON-CONTROLLED COPY  
 INFORMATION SUBJECT TO CHANGE WITHOUT NOTICE  
 COPY WILL **NOT** BE UPDATED

COPY ISSUED BY.....  
 COPY ISSUED ON.....



**NOTES**  
 1. THIS IS A COMPUTER GENERATED DWG. DO NOT REVISE BY HAND.  
 2. DIMENSIONS WILL VARY ±3% DUE TO VARIATIONS IN MULTIPLE MOLDS & CONDITIONS PREVALENT DURING MANUFACTURE & USAGE.

CONFIDENTIAL PROPERTY OF  
 POLY PROCESSING COMPANY  
 NOT FOR REPRINT OR USE  
 WITHOUT PERMISSION

DWG TITLE			
PAD FOR 10'-2" OD IMFO TANK			
SCALE	1/2"=1'-0"	<b>POLY</b> PROCESSING Company	DR MB WILKERSON
DATE	11/17/99	OK: D. RECTOR	
SHEET	1 OF 1	COMPUTER FILE	REV
		8000102	-