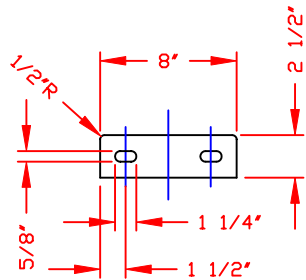
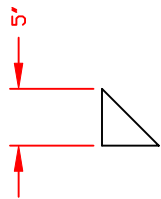


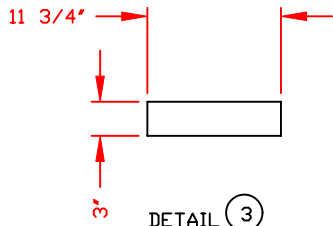
DWG TITLE		1450 HORIZONTAL ELLIPTICAL SKID		
SCALE:	1/2"=1'-0"		Western Region	DR: MB WILKERSON
DATE:	11/25/02		P.O. Box 4150 71210 2201 Old Sterlington Rd. Monroe, LA 71203 CSID 343-7565 FAX CSID 343-8795	CK: J. CASTELLANO
SHEET			COMPUTER FILE	REV
1 OF 3			M6339	-



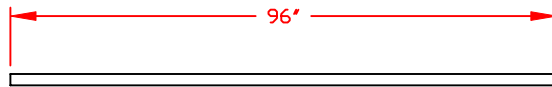
DETAIL ①  
1/4" THK PLATE  
(12) REQ'D  
SCALE: NONE



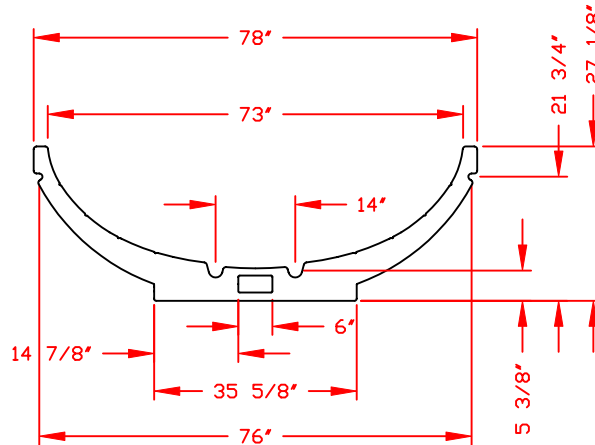
DETAIL ②  
1/4" THK PLATE  
(6) REQ'D  
SCALE: NONE



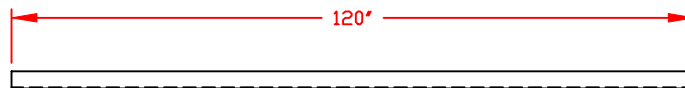
DETAIL ③  
1/8" THK X 3" FLAT BAR (ROLLED)  
(3) REQ'D  
SCALE: NONE



DETAIL ④  
1/8" THK X 2" FLAT BAR (ROLLED)  
(3) REQ'D

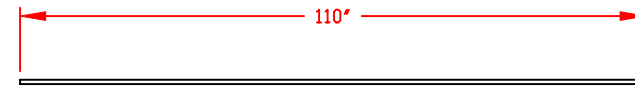


DETAIL ⑤  
SUPPLIED BY OTHERS  
(3) REQ'D

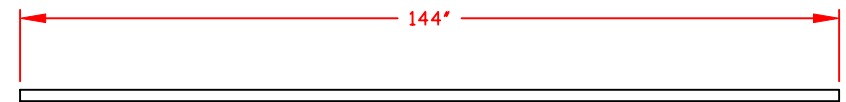


DETAIL ⑥  
3" X 3" X 3/16" THK ANGLE  
(2) REQ'D

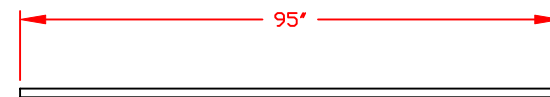
DETAIL ⑦  
1/4" Ø X 110' LG CABLE/304SS  
(2) REQ'D



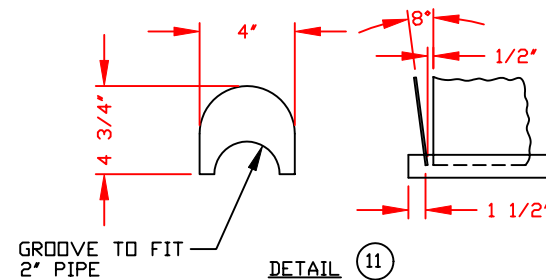
DETAIL ⑧  
3/4" Ø PIPE/SCH 40/BLACK  
(2) REQ'D



DETAIL ⑨  
2" Ø PIPE/SCH 40/BLACK  
(2) REQ'D



DETAIL ⑩  
1 1/2" Ø PIPE/SCH 40/BLACK  
(2) REQ'D

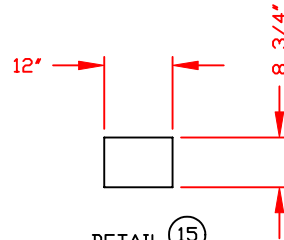


DETAIL ⑪  
3/16" PLATE  
(2) REQ'D  
SCALE: NONE

DWG TITLE		1450 HORIZONTAL ELIPTICAL SKID		
SCALE:	1/2"=1'-0"		Western Region	DR: MB WILKERSON
DATE:	11/25/02		<small>P.O. Box 4150 (71211) 2201 Old Sterlington Rd. Monroe, LA 71203 C/O 345-7565 FAX C/O 345-0795</small>	CK: J. CASTEDLLAND
		SHEET	COMPUTER FILE	REV
		2 OF 3	M6339	-

- (4) 1/4" CABLE CLAMP
- (4) 1/2" X 8" EYE BOLT
- (4) 1/2" LOCK WASHER
- (4) 1/2-13 HEX NUTS

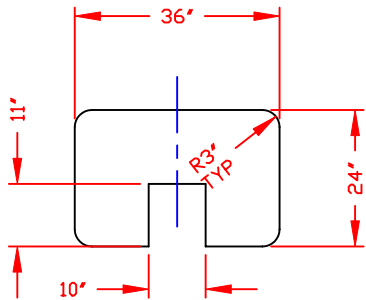
DETAIL (12)



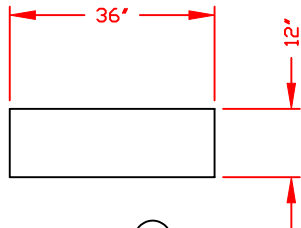
DETAIL (15)  
14 GA SHEET (FORMED)  
(4) REQ'D

- (12) 1/2-13 X 2" LG HEX HD BOLT
- (12) 1/2-13 HEX NUT
- (24) 1/2" FLAT WASHER

DETAIL (16)



DETAIL (13)  
14 GA SHEET (FORMED)  
(2) REQ'D



DETAIL (14)  
14 GA SHEET (FORMED)  
(2) REQ'D

DWG TITLE			
1450 HORIZONTAL ELIPTICAL SKID			
SCALE:	1/2"=1'-0"	<b>POLY</b> <b>PROCESSING</b> <i>Company</i>	Western Region P.O. Box 4150 (71211) 2201 Old Sterlington Rd. Monroe, LA 71203 CIBD 345-7565 FAX CIBD 345-8795
DATE:	11/25/02		DR: MB WILKERSON CK: J. CASTELLANO
		SHEET	COMPUTER FILE
		3 OF 3	M6339 -