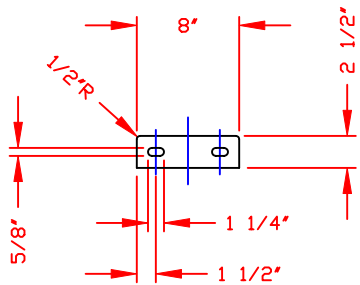
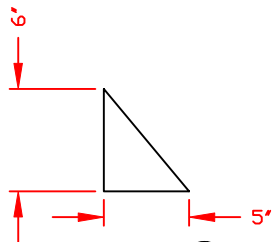


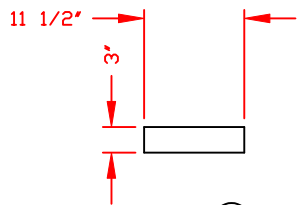
DWG TITLE			
1940 HORIZONTAL ELLIPTICAL SKID			
SCALE:	3/8"=1'-0"		DR: MB WILKERSON
DATE:	11/26/02		CK: J. CASTELLANO
		Western Region P.O. Box 4150 71211 2201 Old Sterlington Rd. Monroe, LA 71203 C310 343-7565 FAX C310 343-8795	SHEET
			COMPUTER FILE
			REV
		1 OF 3	M6340 -



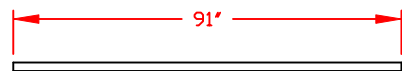
DETAIL 1
1/4" THK PLATE
(16) REQ'D
SCALE: NONE



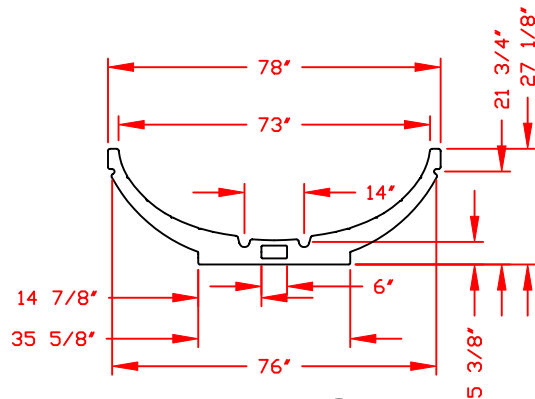
DETAIL 2
3/16" THK PLATE
(8) REQ'D
SCALE: NONE



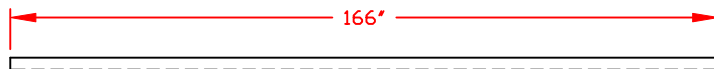
DETAIL 3
1/8" THK X 3" FLAT BAR (ROLLED)
(4) REQ'D
SCALE: NONE



DETAIL 4
1/8" THK X 2" FLAT BAR (ROLLED)
(4) REQ'D

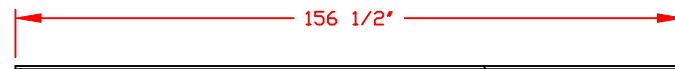


DETAIL 5
SUPPLIED BY OTHERS
(4) REQ'D

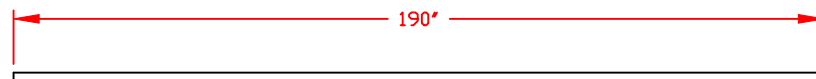


DETAIL 6
3" X 3" X 3/16" THK ANGLE
(2) REQ'D

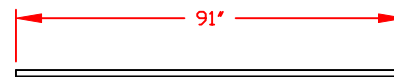
DETAIL 7
1/4" Ø X 156' LG CABLE/304SS
(2) REQ'D



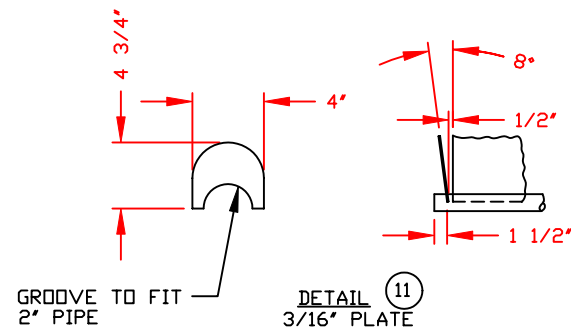
DETAIL 8
3/4" Ø PIPE/SCH 40/BLACK
(2) REQ'D



DETAIL 9
2" Ø PIPE/SCH 40/BLACK
(2) REQ'D



DETAIL 10
1 1/2" Ø PIPE/SCH 40/BLACK
(2) REQ'D

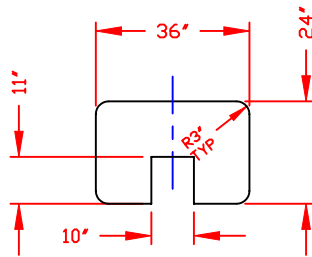


DETAIL 11
3/16" PLATE
(2) REQ'D
SCALE: NONE

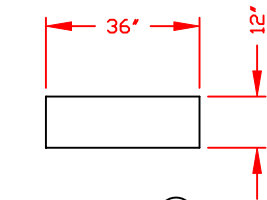
DWG TITLE			
1940 HORIZONTAL ELLIPTICAL SKID			
SCALE:	3/8"=1'-0"		DR: MB WILKERSON
DATE:	11/26/02		CK: J. CASTELLANO
Western Region P.O. Box 4150 71210 2201 Old Sterlington Rd. Monroe, LA 71203 C180 345-7565 FAX C210 345-0795		SHEET	COMPUTER FILE
		2 OF 3	M6340
			REV
			-

- (4) 1/4" CABLE CLAMP
- (4) 1/2" X 8" EYE BOLT
- (4) 1/2" LOCK WASHER
- (4) 1/2-13 HEX NUTS

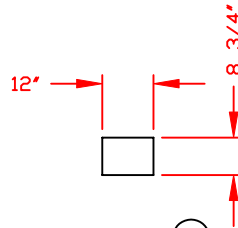
DETAIL (12)



DETAIL (13)
14 GA SHEET (FORMED)
(2) REQ'D



DETAIL (14)
14 GA SHEET (FORMED)
(30) REQ'D



DETAIL (15)
14 GA SHEET (FORMED)
(6) REQ'D

- (16) 1/2-13 X 2" LG HEX HD BOLT
- (16) 1/2-13 HEX NUT
- (32) 1/2" FLAT WASHER

DETAIL (16)

DWG TITLE			
1940 HORIZONTAL ELLIPTICAL SKID			
SCALE:	3/8"=1'-0"		DR: MB WILKERSON
DATE:	11/26/02		CK: J. CASTELLANO
		Western Region P.O. Box 4150 (71211) 2201 Old Sterlington Rd. Morgan, LA 71253 CIBD 343-7565 FAX CIBD 343-8795	REV
		SHEET	COMPUTER FILE
		3 OF 3	M6340 -