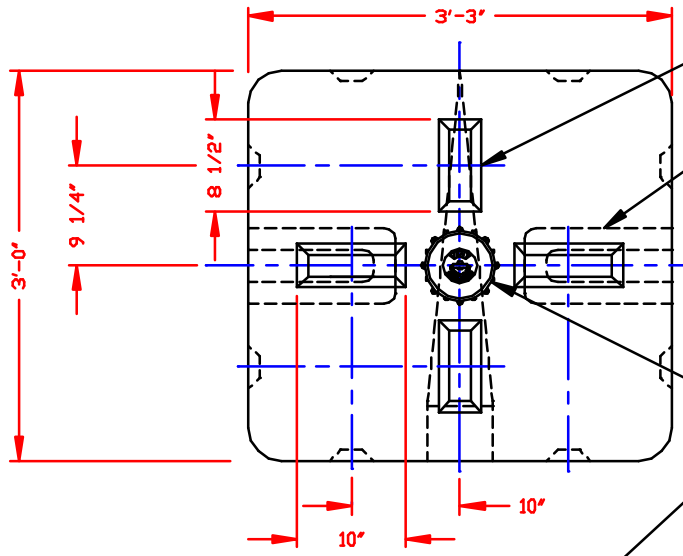


<p>NON-CONTROLLED COPY</p> <p>INFORMATION SUBJECT TO CHANGE WITHOUT NOTICE</p> <p>COPY WILL NOT BE UPDATED</p>	<p>COPY ISSUED BY _____</p> <p>COPY ISSUED ON _____</p>
--	---

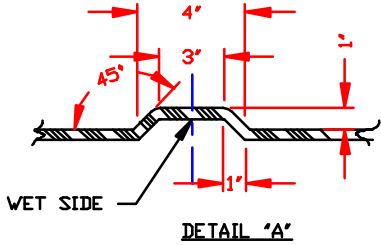


TOP VIEW

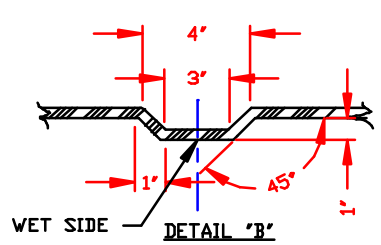
SEE DETAIL "A"
TYPICAL (4) PLACES

SEE DETAIL "C"
TYPICAL (2) PLACES

STANDARD COVER:
5"/BUTTRESS THRD CAP/BLACK PE
STOCK NO. 3210

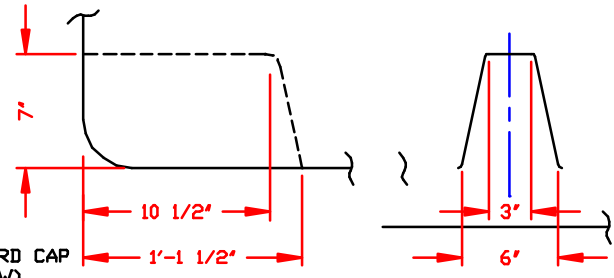


DETAIL "A"

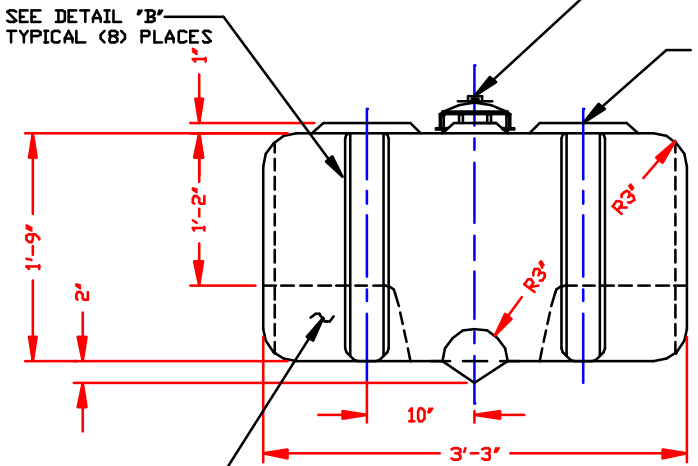


DETAIL "B"

STIFFENER BAND DETAILS
SCALE: 1/2"=1'-0"



DETAIL "C" BAFFLE DETAILS
SCALE: 1/2"=1'-0"

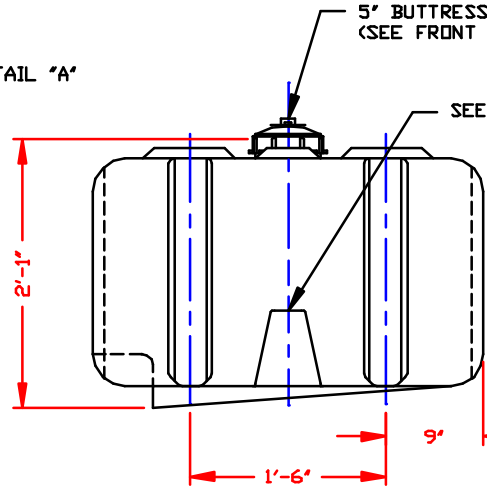


FRONT VIEW

SEE DETAIL "B"
TYPICAL (8) PLACES

SEE DETAIL "A"

SEE DETAIL "C"
TYPICAL (2) PLACES



END VIEW

5" BUTTRESS THRD CAP
(SEE FRONT VIEW)

SEE DETAIL "C"

NOTES

1. THIS IS A COMPUTER GENERATED DWG DD. NOT REVISE BY HAND.
2. DIMENSIONS WILL VARY ±3% DUE TO VARIATIONS IN MOLDS & CONDITIONS PREVALENT DURING MANUFACTURE & USAGE.
3. MOLDED IN GALLONAGE MARKERS IN 10 GALLON INCREMENTS UP TO 80 GALLON ON FRONT.

CALCULATED CAPACITIES/ VOLUME IN U.S. GALLONS
DESIGN CAPACITY
112

CONFIDENTIAL PROPERTY OF
POLY PROCESSING COMPANY
NOT FOR REPRINT OR USE
WITHOUT PERMISSION

DWG TITLE			
110 GALLON RECTANGULAR TRUCK TANK			
SCALE: 1"=1'-0"		<small>Control Number P.O. Box 408 1100 N. 17th St. St. Joseph, MO 64506 TEL: 816-234-7272 FAX: 816-234-0750</small>	DR: MB WILKERSON CK: J. RECTOR
DATE: 2/11/00		SHEET	COMPUTER FILE
	1 OF 1	5000110	-