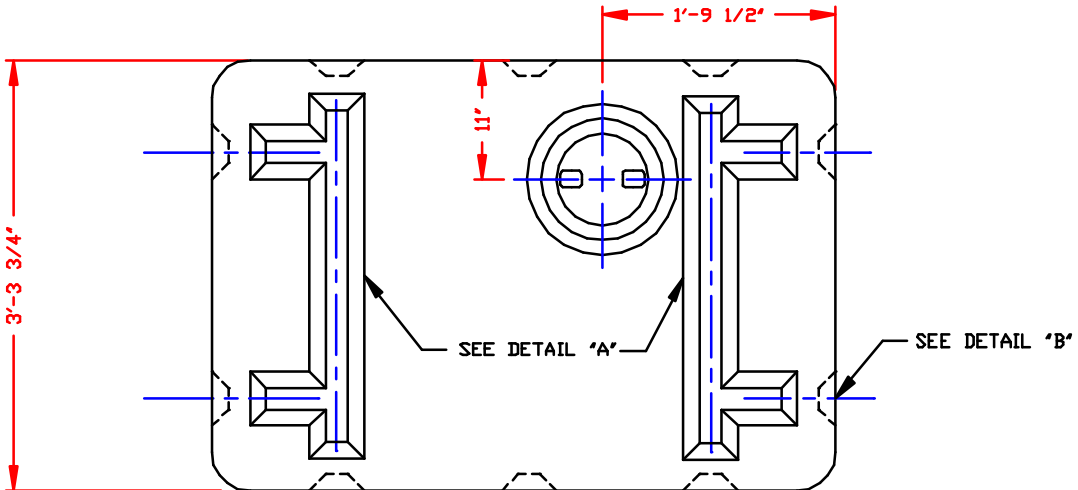
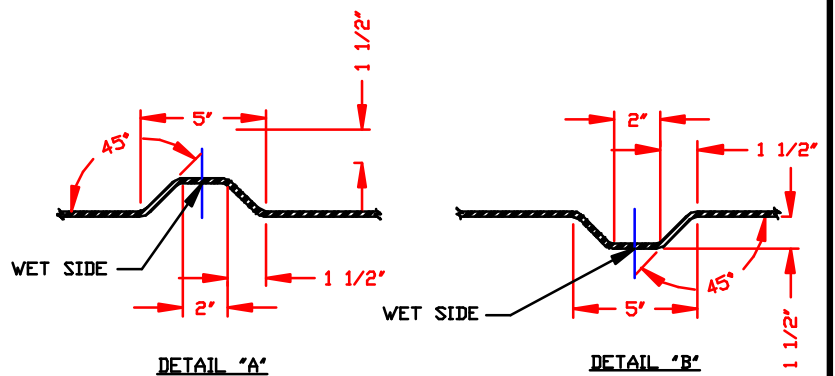


NON-CONTROLLED COPY
 INFORMATION SUBJECT TO CHANGE WITHOUT NOTICE
 COPY WILL NOT BE UPDATED

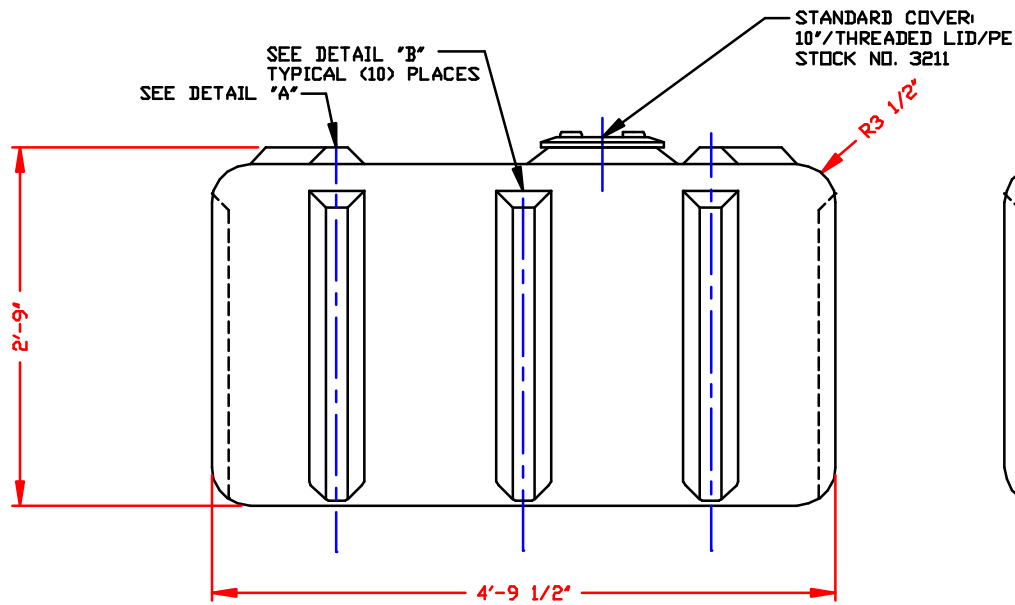
COPY ISSUED BY.....
 COPY ISSUED ON.....



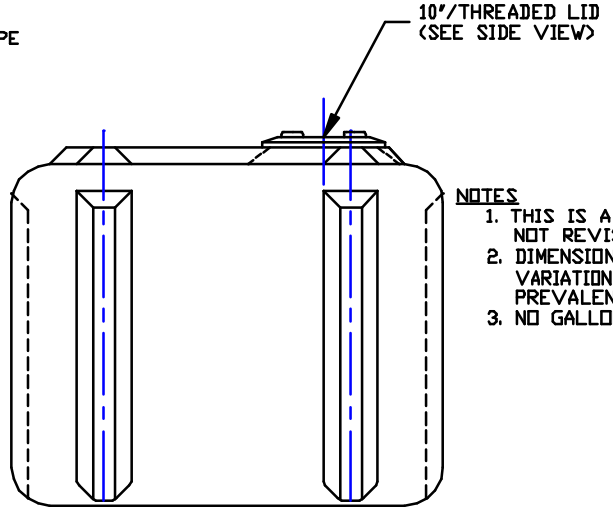
TOP VIEW



STIFFENER BAND DETAILS
 SCALE: 1/2"=1'-0"



SIDE VIEW



END VIEW

- NOTES
1. THIS IS A COMPUTER GENERATED DWG. DO NOT REVISE BY HAND.
 2. DIMENSIONS WILL VARY ±3% DUE TO VARIATIONS IN MULTIPLE MOLDS & CONDITIONS PREVALENT DURING MANUFACTURE & USAGE.
 3. NO GALLONAGE MARKERS THIS TANK.

CONFIDENTIAL PROPERTY OF
 POLY PROCESSING COMPANY
 NOT FOR REPRINT OR USE
 WITHOUT PERMISSION

CALCULATED CAPACITIES/ VOLUME IN U.S. GALLONS
DESIGN CAPACITY
282

DWG TITLE			
280 GALLON RECTANGULAR TRUCK TANK			
SCALE:	1"=1'-0"	POLY PROCESSING Company	DR: MB WILKERSON
DATE:	2/11/00		CK: D. RECTOR
SHEET		COMPUTER FILE	REV
1 OF 1		5000280	-