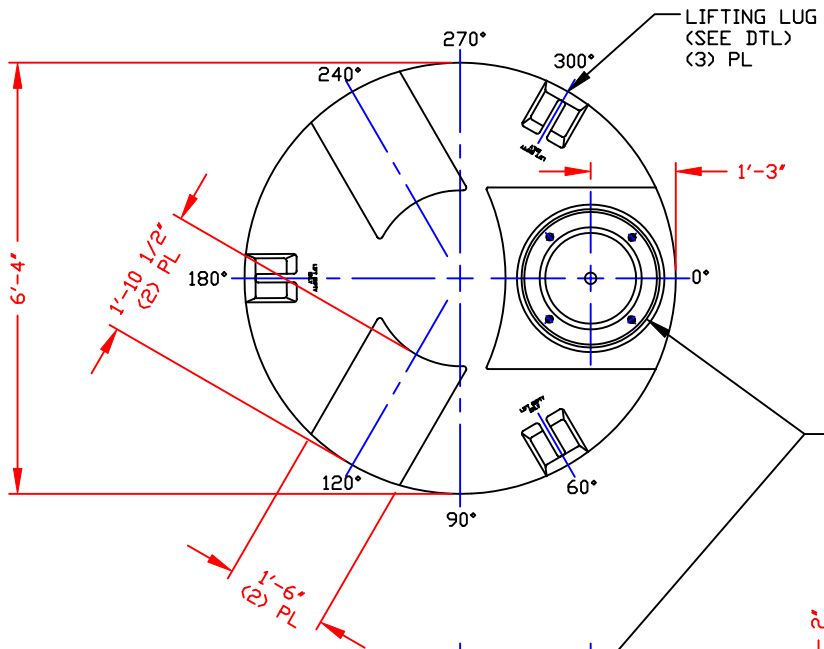
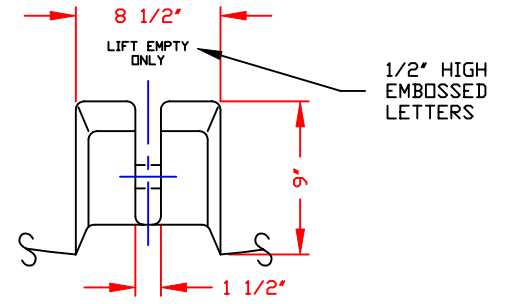


NON-CONTROLLED COPY
 INFORMATION SUBJECT TO CHANGE WITHOUT NOTICE
 COPY WILL NOT BE UPDATED

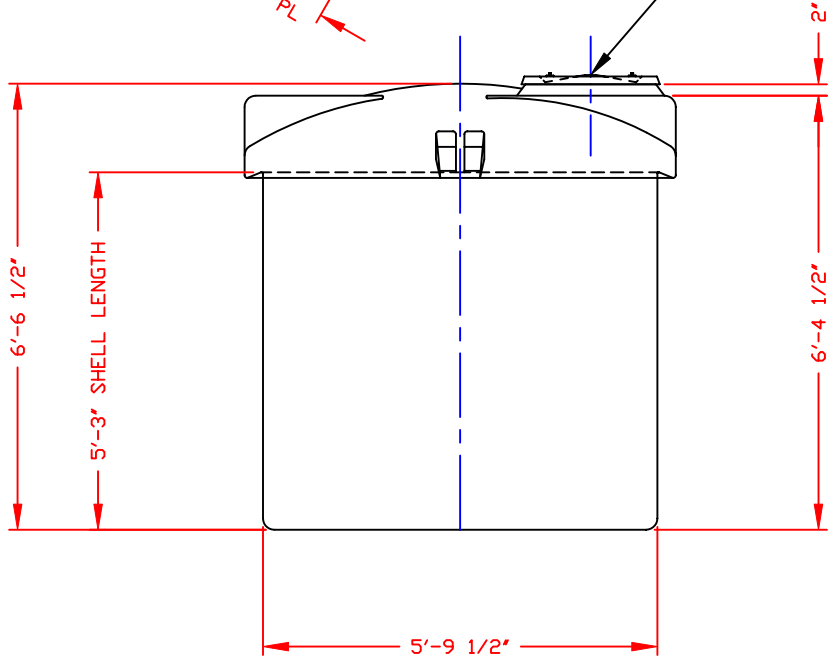
COPY ISSUED BY _____
 COPY ISSUED ON _____



STANDARD COVER:
 19"/(4) BOLT MANWAY COVER/PE (SHOWN)
 STOCK NO. 3213 OR
 19"/STRAPPED MANWAY COVER/PE
 STOCK NO. 3212



LIFTING LUG DETAIL
 SCALE: NONE



- NOTES:
1. THIS IS A COMPUTER GENERATED DWG. DO NOT REVISE BY HAND.
 2. DIMENSIONS WILL VARY ±3% DUE TO VARIATIONS IN MULTIPLE MOLDS & CONDITIONS PREVALENT DURING MANUFACTURE & USAGE.
 3. FOR OUTER TANK DTLS SEE COMPUTER FILE NO. 12101200. TITLE "1000 GALLON OUTER SAFE-TANK/1200 GALLON OPEN TOP TANK." FOR ASSEMBLY SEE COMPUTER FILE NO. 12001000A, TITLE "1000 GALLON SAFE-TANK ASSEMBLY."

CALCULATED CAPACITIES/ VOLUME IN U.S. GALLONS		
DESIGN CAP	DOMES VOL	TOTAL VOL
1016	187	1203

CONFIDENTIAL PROPERTY OF
 POLY PROCESSING COMPANY
 NOT FOR REPRINT OR USE
 WITHOUT PERMISSION

DWG TITLE			
1000 GALLON INNER SAFE-TANK			
SCALE: 1/2"=1'-0"	POLY PROCESSING Company	Western Region P.O. Box 88 8025 South Ash Street French Camp, CA 95831 CITY: 916-4964 FAX: 209-982-0435	DR: MB WILKERSON
DATE: 6/28/00		CK: J. BRANTLEY	
SHEET		COMPUTER FILE	REV
1 OF 1		12001000	-