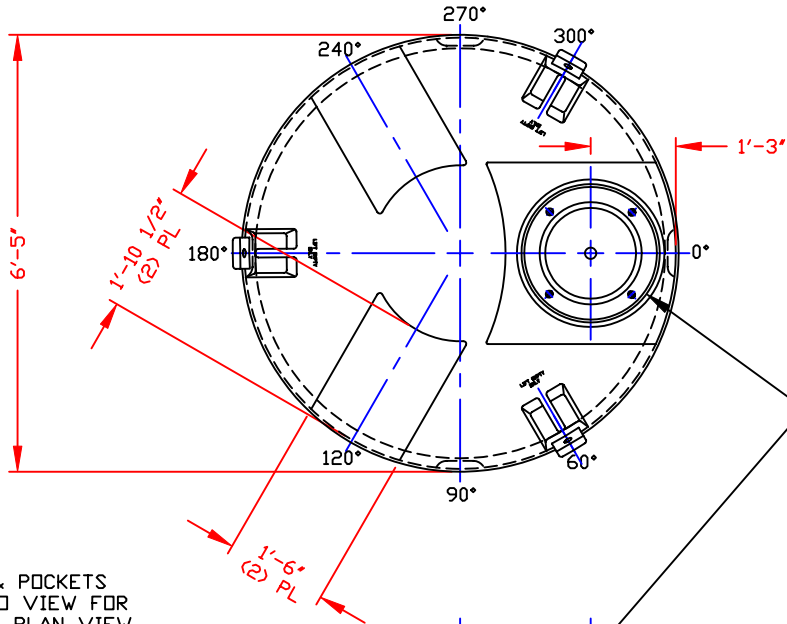
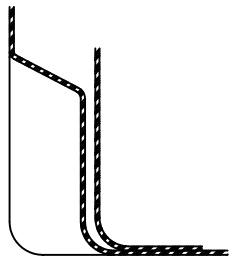


NON-CONTROLLED COPY
 INFORMATION SUBJECT TO CHANGE WITHOUT NOTICE
 COPY WILL NOT BE UPDATED

COPY ISSUED BY _____
 COPY ISSUED ON _____

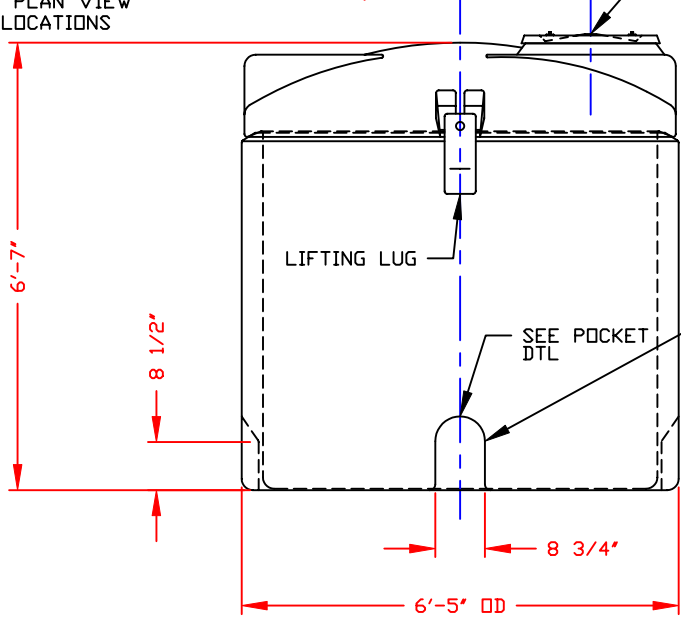


STANDARD COVER:
 19"/(4) BOLT MANWAY COVER/PE (SHOWN)
 STOCK NO. 3213 OR
 19"/STRAPPED MANWAY COVER/PE
 STOCK NO. 3212



POCKET DETAIL
 SCALE: NONE

NOTE: LUGS & POCKETS
 ROTATED INTO VIEW FOR
 CLARITY. SEE PLAN VIEW
 FOR DEGREE LOCATIONS



SEE POCKET
 DTL 0°, 90°, 180°, 270°

NOTE:
 MUST USE FLEXIBLE
 CONNECTIONS ALL
 LOWER SIDEWALL
 FITTINGS

NOTES:

1. THIS IS A COMPUTER GENERATED DWG. DO NOT REVISE BY HAND.
2. DIMENSIONS WILL VARY ±3% DUE TO VARIATIONS IN MULTIPLE MOLDS & CONDITIONS PREVALENT DURING MANUFACTURE & USAGE.
3. FOR INNER TANK DTLS SEE COMPUTER FILE NO. 12001000, TITLE "1000 GALLON INNER SAFE-TANK." FOR OUTER TANK DTLS SEE COMPUTER FILE NO. 12101200, TITLE "1000 GALLON OUTER SAFE-TANK/ 1200 GALLON OPEN TOP TANK."

CALCULATED CAPACITIES/ VOLUME IN U.S. GALLONS			
TANK	DESIGN CAP	DOME VOL	TOTAL VOL
INNER	1016	187	1203
OUTER	1215	N/A	1215

CONFIDENTIAL PROPERTY OF
 POLY PROCESSING COMPANY
 NOT FOR REPRINT OR USE
 WITHOUT PERMISSION

DWG TITLE		1000 GALLON SAFE-TANK ASSEMBLY	
SCALE:	1/2"=1'-0"	POLY PROCESSING Company	Western Region P.O. Box 88 9025 South Ash Street French Camp, CA 95831 CITY: 958-4394 FAX: 209 982-8435
DATE:	6/28/00		DR: MB WILKERSON CK: J. BRANTLEY
REV "B" ADDED FITTING NOTE BY:MBW 4/16/03 CK:JB		SHEET	COMPUTER FILE
REV "A" ADDED NOTE & POCKETS IN IN PLAN VIEW BY:JB 1/28/02 CK:WM		1 OF 1	12001000A B