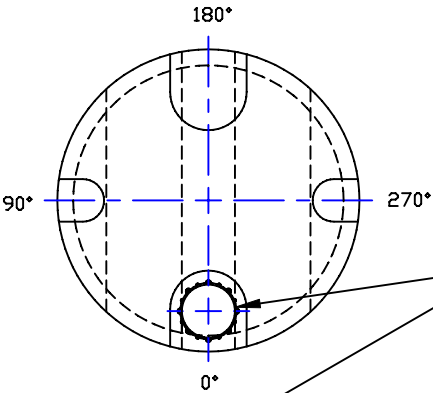
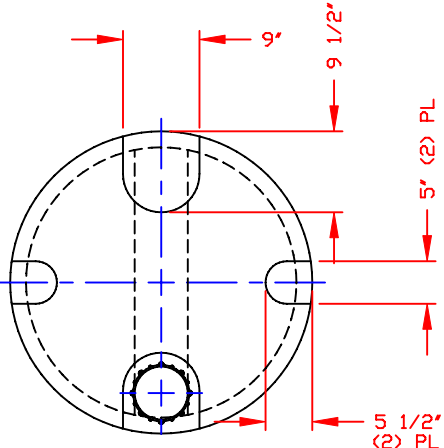
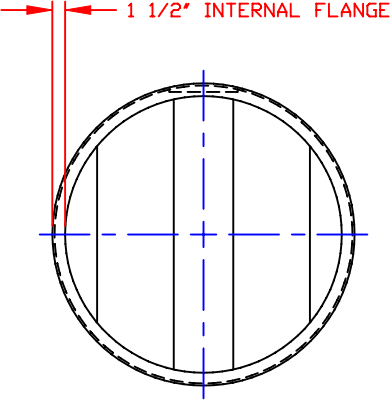
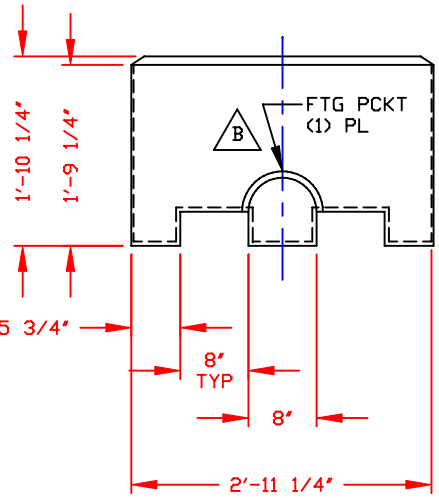


NON-CONTROLLED COPY
 INFORMATION SUBJECT TO CHANGE WITHOUT NOTICE
 VERIFY REV LEVEL OF PAPER COPY WITH REV LEVEL ON PPC WEB SITE

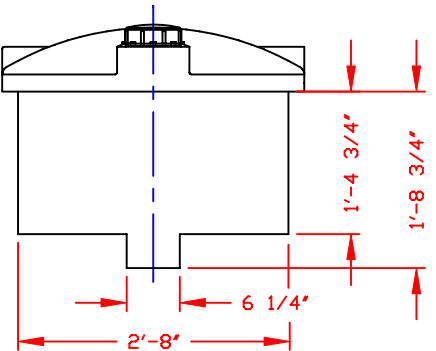
NOTES
 1. THIS IS A COMPUTER GENERATED DWG. DO NOT REVISE BY HAND
 2. DIMENSIONS WILL VARY ±3% DUE TO VARIATIONS IN MULTIPLE
 MOLDS & CONDITIONS PREVALENT DURING MANUFACTURE & USAGE.



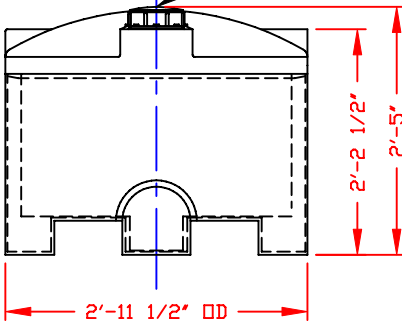
STANDARD COVER:
 5" BUTTRESS THRD CAP/BLK/PE
 W/GSKT/EPDM
 PPC STOCK NO. 3210



OUTER TANK



INNER TANK



ASSEMBLY

NOTE: A
 MUST USE FLEXIBLE
 CONNECTIONS ALL
 LOWER SIDEWALL
 FITTINGS

CALCULATED CAPACITIES/ VOLUME IN U.S. GALLONS		
DESIGN CAP	DOME VOL	TOTAL VOL
58	11	69

CONFIDENTIAL PROPERTY OF
 POLY PROCESSING COMPANY
 NOT FOR REPRINT OR USE
 WITHOUT PERMISSION

DWG TITLE			
55 GALLON SAFE-TANK ASSEMBLY			
SCALE:	3/4"=1'-0"	 POLYPROCESSING COMPANY	DR:
DATE:	11/22/99		CK:
		Central Region P.O. Box 4150 (71211) 2201 Old Starlington Rd. Metairie, LA 70003 CUB 343-7565 FAX 337-343-8790	MB WILKERSON D. RECTOR

REV "B" ADDED FTG POCKET BY:MBW 7/13/04 CK:JB
 REV "A" ADDED FITTING NOTE BY:MBW 4/15/03 CK:JB

SHEET	COMPUTER FILE	REV
1 OF 1	2000055	B