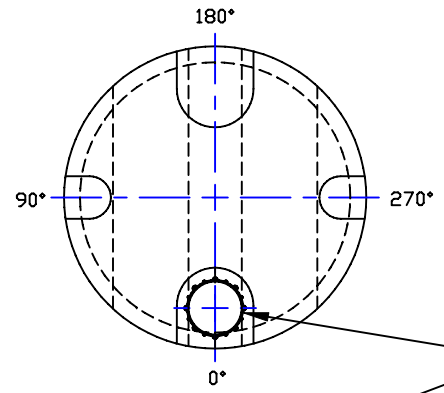
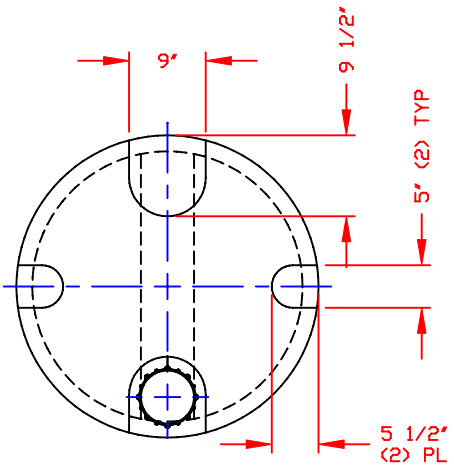
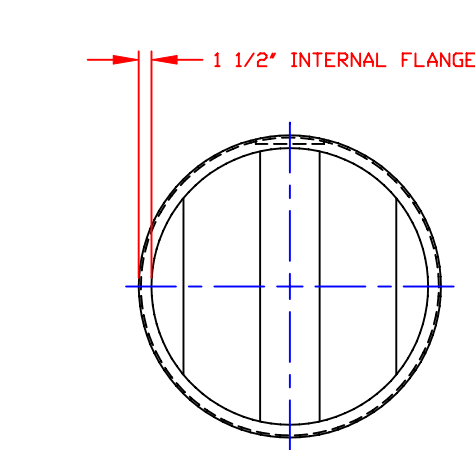
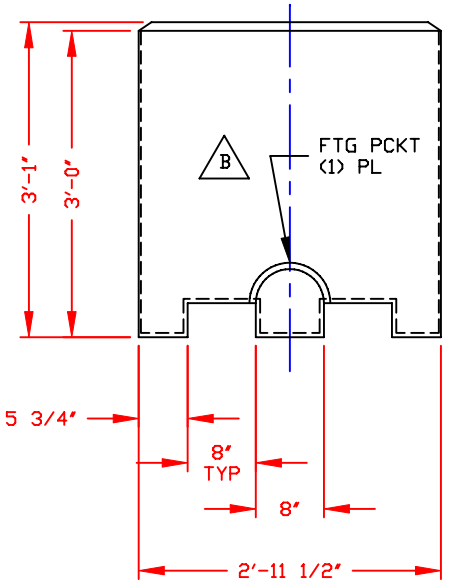


NON-CONTROLLED COPY
 INFORMATION SUBJECT TO CHANGE WITHOUT NOTICE
 VERIFY REV LEVEL OF PAPER COPY WITH REV LEVEL ON PPC WEB SITE

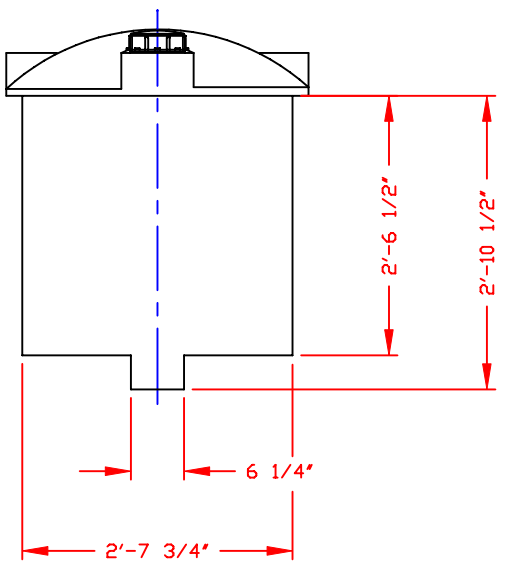
NOTES:
 1. THIS IS A COMPUTER GENERATED DWG. DO NOT REVISE BY HAND.
 2. DIMENSIONS WILL VARY ±3% DUE TO VARIATIONS IN MULTIPLE MOLDS & CONDITIONS PREVALENT DURING MANUFACTURE & USAGE.



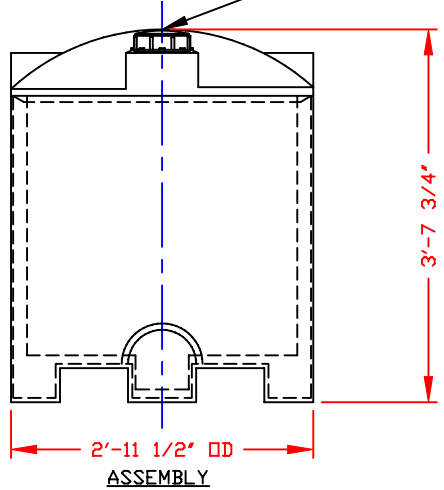
STANDARD COVER:
 5"/BUTTRESS THRD CAP/BLK/PE
 W/GSKT/EPDM
 PPC STOCK NO. 3210



OUTER TANK



INNER TANK



ASSEMBLY

NOTE: MUST USE FLEXIBLE CONNECTIONS ALL LOWER SIDEWALL FITTINGS

CONFIDENTIAL PROPERTY OF
 POLY PROCESSING COMPANY
 NOT FOR REPRINT OR USE
 WITHOUT PERMISSION

CALCULATED CAPACITIES/ VOLUME IN U.S. GALLONS		
DESIGN CAP	DOME VOL	TOTAL VOL
105	11	116

DWG TITLE			
105 GALLON SAFE-TANK ASSEMBLY			
SCALE:	3/4"=1'-0"	 POLYPROCESSING COMPANY	DR:
DATE:	11/22/99		CK:
		Central Region P.O. Box 4150 (71211) 2201 Old Sterlington Rd. Marrero, LA 70053 CUB 343-7565 FAX 337-343-8795	D. RECTOR
		SHEET	COMPUTER FILE
		1 OF 1	2000105
			REV
			B

REV "B" ADDED FTG POCKET BY:MBW 7/13/04 CK:JB
 REV "A" ADDED FITTING NOTE BY:MBW 4/15/03 CK:JB