

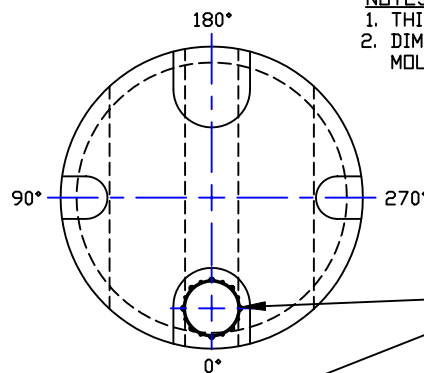
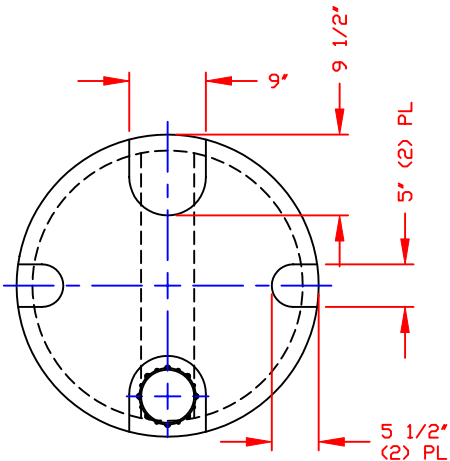
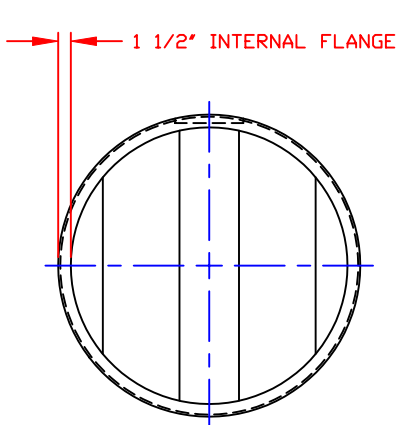
NON-CONTROLLED COPY

INFORMATION SUBJECT TO CHANGE WITHOUT NOTICE

COPY WILL NOT BE UPDATED

COPY ISSUED BY _____

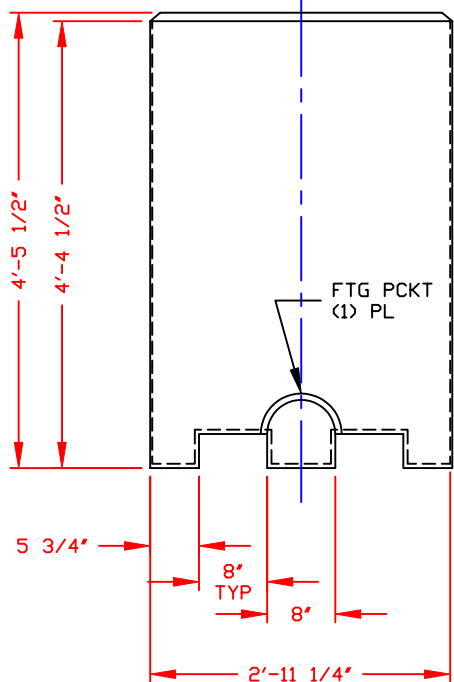
COPY ISSUED ON _____



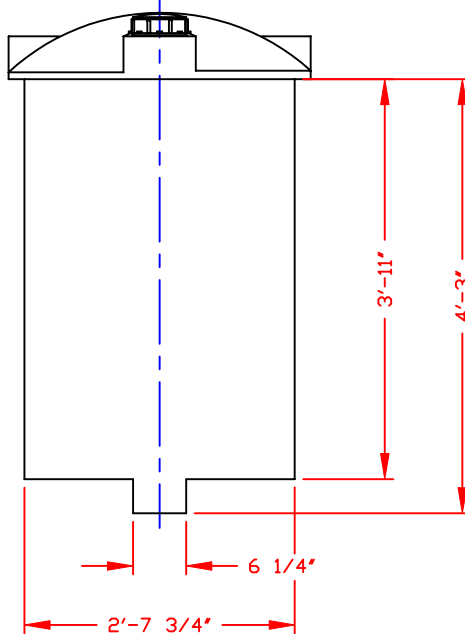
NOTES:

1. THIS IS A COMPUTER GENERATED DWG. DO NOT REVISE BY HAND.
2. DIMENSIONS WILL VARY ±3% DUE TO VARIATIONS IN MULTIPLE MOLDS & CONDITIONS PREVALENT DURING MANUFACTURE & USAGE.

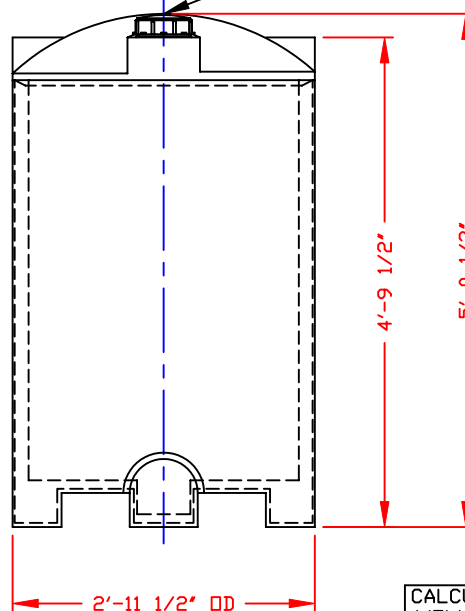
STANDARD COVER:
5"/BUTTRESS THRD CAP/BLK/PE
W/GSKT/EPDM
PPC STOCK NO. 3210



OUTER TANK



INNER TANK



ASSEMBLY

NOTE:
MUST USE FLEXIBLE CONNECTIONS ALL LOWER SIDEWALL FITTINGS



CALCULATED CAPACITIES/ VOLUME IN U.S. GALLONS		
DESIGN CAP	DOME VOL	TOTAL VOL
160	11	171

CONFIDENTIAL PROPERTY OF
POLY PROCESSING COMPANY
NOT FOR REPRINT OR USE
WITHOUT PERMISSION

DWG TITLE			
160 GALLON SAFE-TANK ASSEMBLY			
SCALE:	3/4"=1'-0"		DR: MB WILKERSON
DATE:	11/23/99		CK: D. RECTOR
		SHEET	COMPUTER FILE
		1 OF 1	2000160
			REV B

REV *B* ADDED FTG PKCT BY:MBW 7/13/04 CK:JB
REV *A* ADDED FITTING NOTE BY:MBW 4/15/03 CK:JB