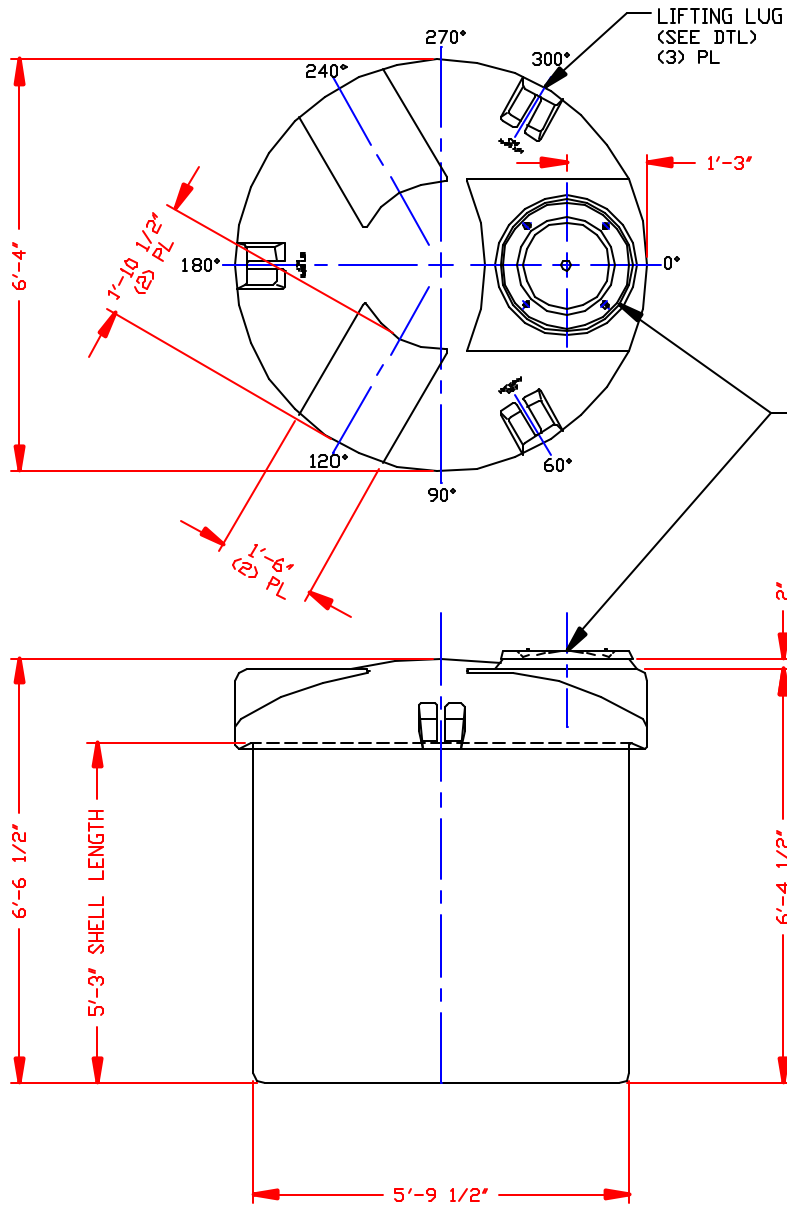
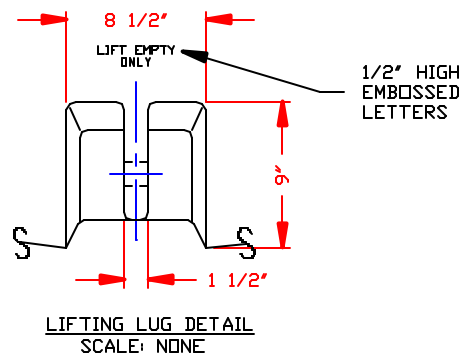


NON-CONTROLLED COPY
 INFORMATION SUBJECT TO CHANGE WITHOUT NOTICE
 COPY WILL NOT BE UPDATED

COPY ISSUED BY _____
 COPY ISSUED ON _____



STANDARD COVER:
 19"/(4) BOLT MANWAY COVER/PE (SHOWN)
 STOCK NO. 3213 OR
 19"/STRAPPED MANWAY COVER/PE
 STOCK NO. 3212



- NOTES:
1. THIS IS A COMPUTER GENERATED DWG. DO NOT REVISE BY HAND.
 2. DIMENSIONS WILL VARY ±3% DUE TO VARIATIONS IN MULTIPLE MOLDS & CONDITIONS PREVALENT DURING MANUFACTURE & USAGE.
 3. FOR OUTER TANK DTLS SEE COMPUTER FILE NO. 2101200, TITLE "1000 GALLON OUTER SAFE-TANK/1200 GALLON OPEN TOP TANK," FOR ASSEMBLY SEE COMPUTER FILE NO. 2001000A, TITLE "1000 GALLON SAFE-TANK ASSEMBLY."

CALCULATED CAPACITIES/ VOLUME IN U.S. GALLONS		
DESIGN CAP	DOME VOL	TOTAL VOL
1016	187	1203

CONFIDENTIAL PROPERTY OF
 POLY PROCESSING COMPANY
 NOT FOR REPRINT OR USE
 WITHOUT PERMISSION

DWG TITLE				
1000 GALLON INNER SAFE-TANK				
SCALE: 1/2"=1'-0"	POLY PROCESSING	Standard English	DR: J BAUGH	
DATE: 1/28/02		PL: 800-458-0200 P.O. Box 100 Harrison, LA 70421 CITY: 313-784-1111 FAX: 504-343-9796	CHK: J. BRANTLEY	
	SHEET	COMPUTER FILE	REV	
	1 OF 1	2001000	-	