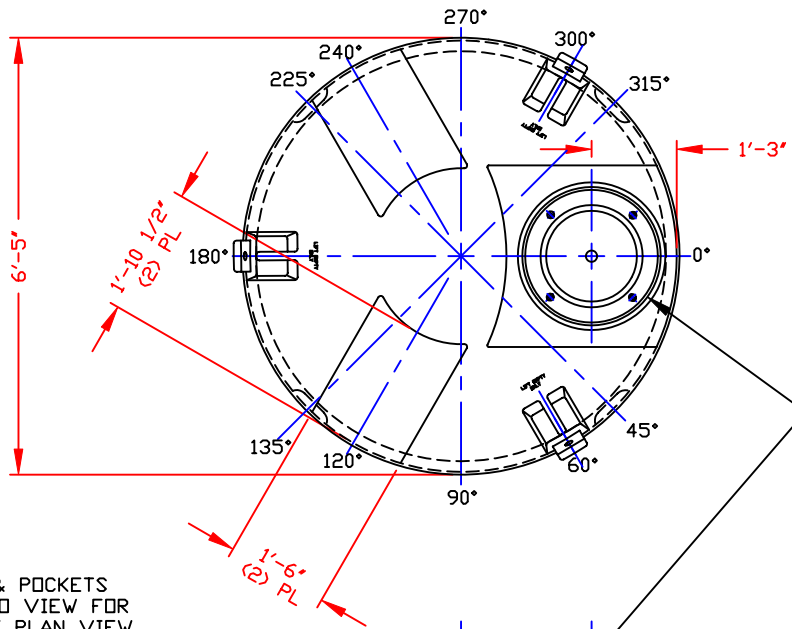
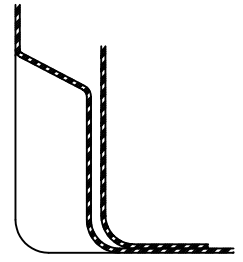


NON-CONTROLLED COPY
 INFORMATION SUBJECT TO CHANGE WITHOUT NOTICE
 COPY WILL NOT BE UPDATED

COPY ISSUED BY.....
 COPY ISSUED ON.....

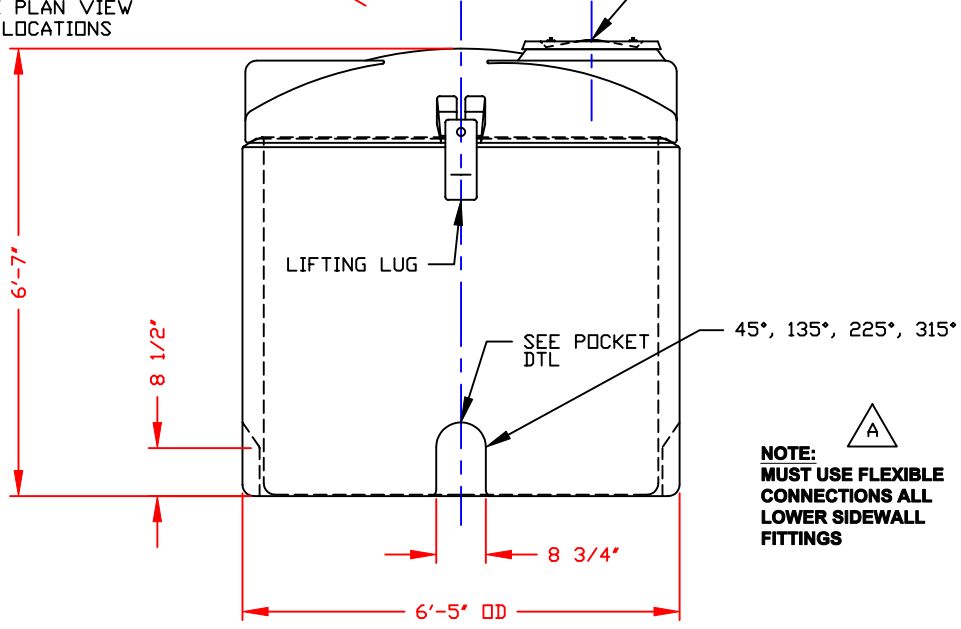


STANDARD COVER:
 19"/(4) BOLT MANWAY COVER/PE (SHOWN)
 STOCK NO. 3213 OR
 19"/STRAPPED MANWAY COVER/PE
 STOCK NO. 3212



POCKET DETAIL
 SCALE: NONE

NOTE: LUGS & POCKETS
 ROTATED INTO VIEW FOR
 CLARITY. SEE PLAN VIEW
 FOR DEGREE LOCATIONS



NOTE: **MUST USE FLEXIBLE CONNECTIONS ALL LOWER SIDEWALL FITTINGS**

NOTES:

1. THIS IS A COMPUTER GENERATED DWG. DO NOT REVISE BY HAND.
2. DIMENSIONS WILL VARY ±3% DUE TO VARIATIONS IN MULTIPLE MOLDS & CONDITIONS PREVALENT DURING MANUFACTURE & USAGE.
3. FOR INNER TANK DTLs SEE COMPUTER FILE NO. 2001000. TITLE "1000 GALLON INNER SAFE-TANK" FOR OUTER TANK DTLs SEE COMPUTER FILE NO. 2101200, TITLE "1000 GALLON OUTER SAFE-TANK/1200 GALLON OPEN TOP TANK."

CALCULATED CAPACITIES/ VOLUME IN U.S. GALLONS			
TANK	DESIGN CAP	DOME VOL	TOTAL VOL
INNER	1016	187	1203
OUTER	1215	N/A	1215

CONFIDENTIAL PROPERTY OF
 POLY PROCESSING COMPANY
 NOT FOR REPRINT OR USE
 WITHOUT PERMISSION

DWG TITLE			
1000 GALLON SAFE-TANK ASSEMBLY			
SCALE:	1/2"=1'-0"	POLY PROCESSING Company	DR: J BAUGH
DATE:	1/28/02		CK: J. BRANTLEY
		SHEET	COMPUTER FILE
		1 OF 1	2001000A
			REV A

REV "A" ADDED FITTING NOTE BY:MBW 4/16/03 CK:JB