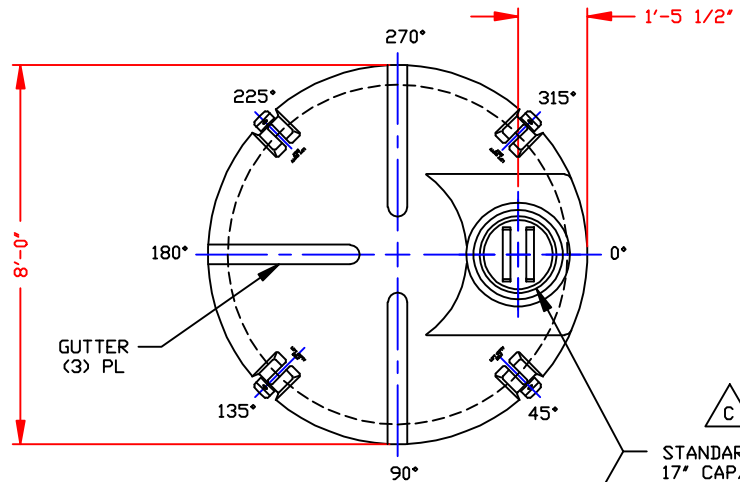
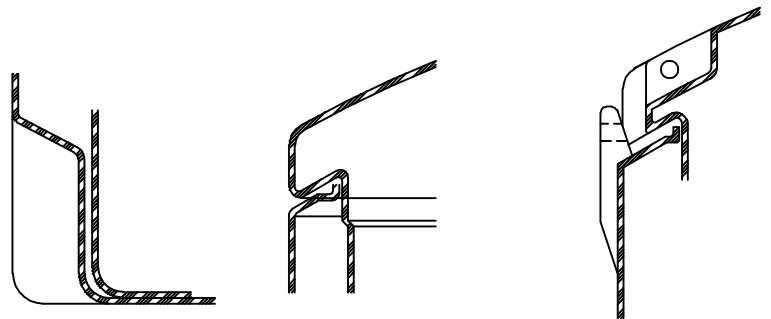


NON-CONTROLLED COPY  
 INFORMATION SUBJECT TO CHANGE WITHOUT NOTICE  
 VERIFY REV LEVEL OF PAPER COPY WITH REV LEVEL ON PPC WEB SITE

NOZZLE SCHEDULE & ACCESSORIES						
SERVICE	MK	STOCK NO.	SIZE	FITTING	DEG	ELEV

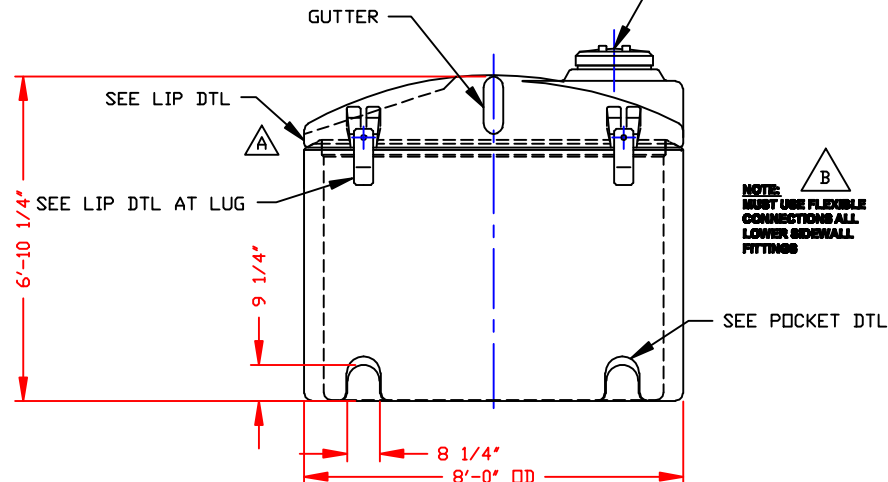


△ C  
 STANDARD COVER:  
 17" CAP/BUTTRESS THR'D  
 BLACK PE  
 STOCK NO. 4558



POCKET DETAIL SCALE: 1 1/2" = 1'-0"  
 LIP DETAIL SCALE: 1 1/2" = 1'-0"  
 LIP DETAIL AT LUG SCALE: 1 1/2" = 1'-0"

NOTE:  
 LUGS & SIDE POCKETS ROTATED INTO VIEW FOR CLARITY.  
 SEE PLAN VIEW FOR DEGREE LOCATIONS.



△ B  
 NOTE:  
 MUST USE FLEXIBLE  
 CONNECTIONS ALL  
 LOWER SIDEWALL  
 FITTINGS

- NOTES:  
 1. THIS IS A COMPUTER GENERATED DWG. DO NOT REVISE BY HAND.  
 2. DIMENSIONS WILL VARY ±3% DUE TO VARIATIONS IN MULTIPLE MOLDS & CONDITIONS PREVALENT DURING MANUFACTURE & USAGE.  
 3. FOR INNER TANK DTLS SEE COMPUTER FILE NO. 2001550 TITLE '1550 GALLON INNER SAFE-TANK.' FOR OUTER TANK DTLS SEE COMPUTER FILE NO. 2101950, TITLE '1550 GALLON OUTER SAFE-TANK/1950 OPEN TOP TANK'.

CALCULATED CAPACITIES/ VOLUME IN U.S. GALLONS			
TANK	DESIGN CAP	DOME VOL	TOTAL VOL
INNER	1586	204	1790
OUTER	1954	N/A	1954

CONFIDENTIAL PROPERTY OF  
 PDLY PROCESSING COMPANY  
 NOT FOR REPRINT OR USE  
 WITHOUT PERMISSION

DWG TITLE 1550 GALLON SAFE-TANK ASSEMBLY			
SCALE: 3/8" = 1'-0"	 <b>POLYPROCESSING</b> COMPANY, LLC	Central Region P.O. Box 4550 (71251) 2501 Old Washington Rd. Norwego, LA 71055 (504) 343-7500 FAX (504) 343-9795	DR: MB WILKERSON
DATE: 12/2/99		CK: J. BRANTLEY	SHEET 1 OF 1 COMPUTER FILE 2001550A REV C

- REV "C" REVISED COVER BY:JB 7/27/09 CK:WM  
 REV "B" ADDED FITTING NOTE BY:MBW 4/16/03 CK:JB  
 REV "A" MODIFICATION TO MOLD BY:MBW 3/21/02 CK:BT