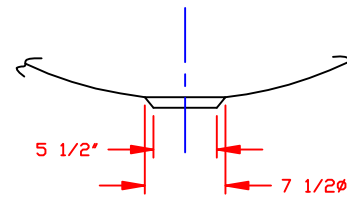
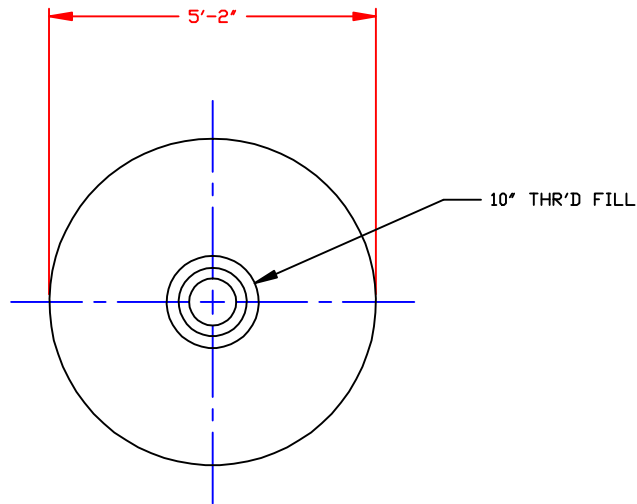
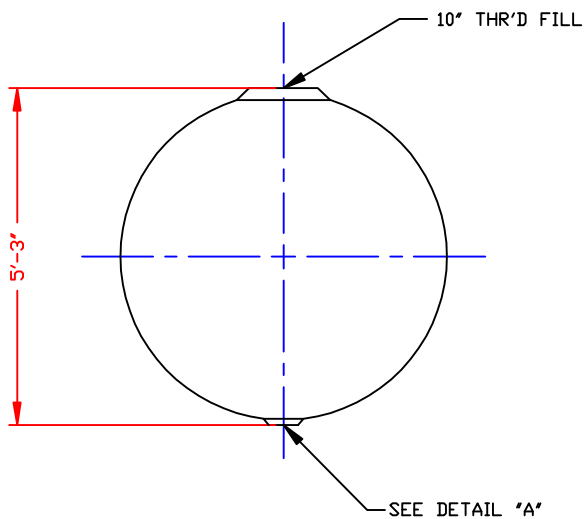


NON-CONTROLLED COPY
 INFORMATION SUBJECT TO CHANGE WITHOUT NOTICE
 VERIFY REV LEVEL OF PAPER COPY WITH REV LEVEL ON PPC WEB SITE




DETAIL "A"
SUMP
 SCALE: 1" = 1'-0"



NOTES

1. THIS IS A COMPUTER GENERATED DRAWING. DO NOT REVISE BY HAND.
2. DIMENSIONS WILL VARY ±3% DUE TO VARIATIONS IN MULTIPLE MOLDS & CONDITIONS PREVELANT DURING MANUFACTURE & USAGE
3. MOLDED IN GALLONAGE MARKERS ON SIDEWALL IN 20 GALLON INCREMENTS UP TO 500 GALLONS (2) PL @ 180° APART.

CONFIDENTIAL PROPERTY OF
 POLY PROCESSING COMPANY
 NOT FOR REPRINT OR USE
 WITHOUT PERMISSION

DWG TITLE			
520 GALLON SPHERE			
SCALE:	1/2"=1'-0"	 POLY PROCESSING <small>C O M P A N Y L L C</small>	DR: J. BRANTLEY
DATE:	2/27/09	<small>Central Region P.O. Box 4950 #1151D 2251 Old Sherington Rd. Norwego, LA 70059 (504) 343-7563 FAX (504) 343-9795</small>	CK: W. MANUEL
		SHEET	COMPUTER FILE
		1 OF 1	46000520 -