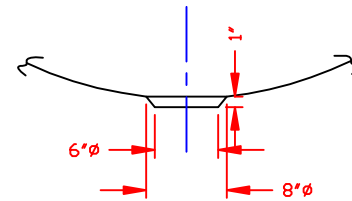
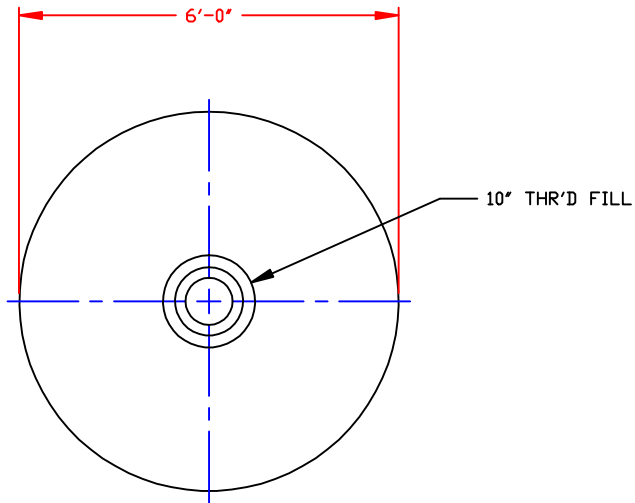
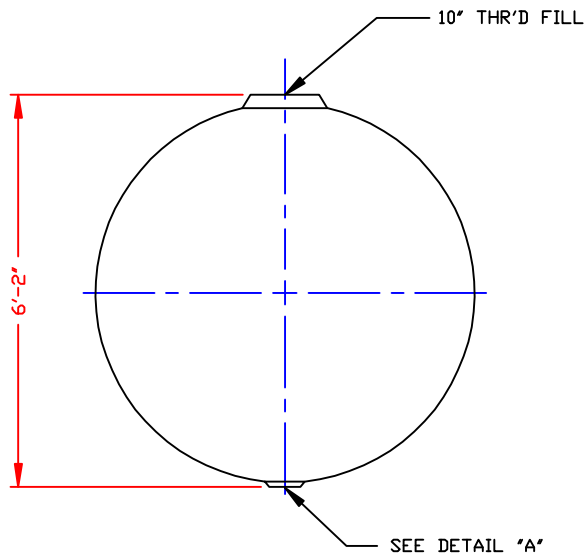


NON-CONTROLLED COPY  
 INFORMATION SUBJECT TO CHANGE WITHOUT NOTICE  
 VERIFY REV LEVEL OF PAPER COPY WITH REV LEVEL ON PPC WEB SITE




DETAIL "A"  
 SUMP  
 SCALE: 1" = 1'-0"



**NOTES**

1. THIS IS A COMPUTER GENERATED DRAWING. DO NOT REVISE BY HAND.
2. DIMENSIONS WILL VARY  $\pm 3\%$  DUE TO VARIATIONS IN MULTIPLE MOLDS & CONDITIONS PREVELANT DURING MANUFACTURE & USAGE
3. MOLDED IN GALLONAGE MARKERS ON SIDEWALL IN 50 GALLON INCREMENTS UP TO 750 GALLONS. FINAL INCREMENT 780 GALLONS

CONFIDENTIAL PROPERTY OF  
 POLY PROCESSING COMPANY  
 NOT FOR REPRINT OR USE  
 WITHOUT PERMISSION

DWG TITLE		825 GALLON SPHERE			
SCALE:	1/2"=1'-0"	 <b>POLY PROCESSING</b> <small>C O M P A N Y L L C</small>	<small>Central Region</small> <small>P.O. Box 4950 71520</small> <small>2551 Old Sherington Rd.</small> <small>Monroe, LA 70005</small> <small>CSHO 343-7863</small> <small>FAK CSB 343-9795</small>	DR:	J. BRANTLEY
DATE:	2/27/09		CK:	W. MANUEL	
		SHEET	COMPUTER FILE	REV	
		1 OF 1	46000825	-	