

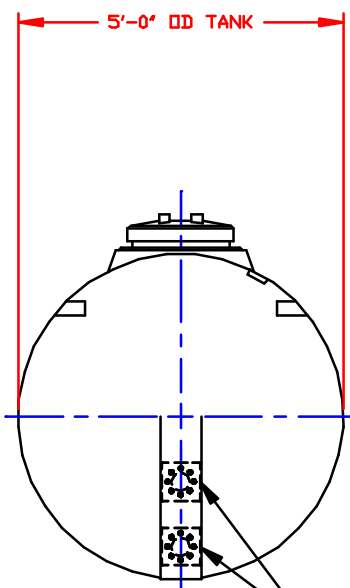
NON-CONTROLLED COPY

INFORMATION SUBJECT TO CHANGE WITHOUT NOTICE

COPY WILL NOT BE UPDATED

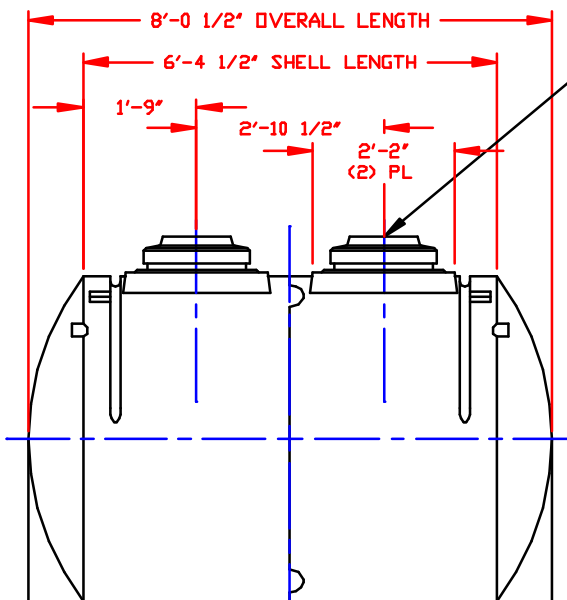
COPY ISSUED BY.....

COPY ISSUED ON.....



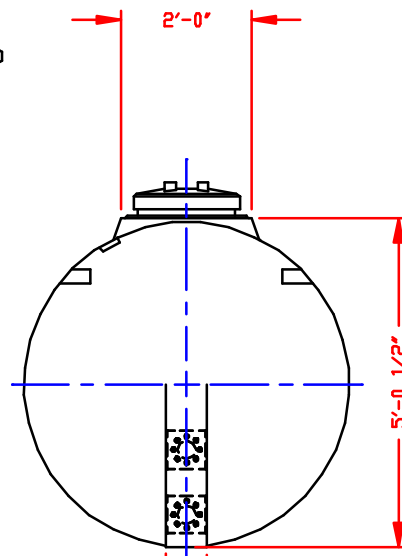
LEFT END

DTL 'A'



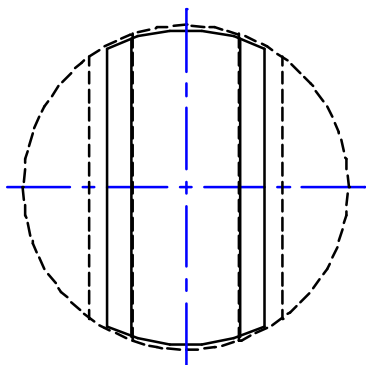
ELEVATION

STANDARD COVER:  
17"/BUTTRESS THREAD  
CAP/BLACK PE  
STOCK NO. 4558  
(2) REQ'D

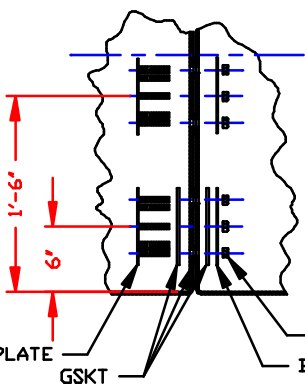


RIGHT END

7 1/2" (2) PL



CARBON STEEL INTERFACE PLATE  
REQ'D IF BAFFLE FTGS ARE NOT USED  
STOCK NO. SP122



STUD PLATE  
GSKT  
HEX NUT  
BACK-UP PLATE

DETAIL 'A'  
BAFFLE FTG/316SS  
(2) REQ'D PER SEGMENT INTERFACE  
STOCK NO. SP550  
SCALE: NONE

NOTES

1. THIS IS A COMPUTER GENERATED DWG. DO NOT REVISE BY HAND.
2. DIMENSIONS WILL VARY ±3% DUE TO VARIATIONS IN MULTIPLE MOLDS & CONDITIONS PREVALENT DURING MANUFACTURE & USAGE.
3. NO MOLDED IN GALLONAGE MARKERS THIS TANK.

CALCULATED CAPACITY VOLUME IN U.S. GALLONS
DESIGN CAPACITY 1079

CONFIDENTIAL PROPERTY OF  
POLY PROCESSING COMPANY  
NOT FOR REPRINT OR USE  
WITHOUT PERMISSION

DWG TITLE 1075 GALLON HORIZONTAL (2) SECTIONAL TANK			
SCALE: 1/2"=1'-0"	POLY PROCESSING Company	Working Drawings P.O. Box 80 8902 South Ash Street Springdale, GA 30148 770-962-7200 770-962-9900	DR: MB WILKERSON
DATE: 4/24/00		CK: J. RECTOR	
SHEET 1 OF 1		COMPUTER FILE 13601075	REV -