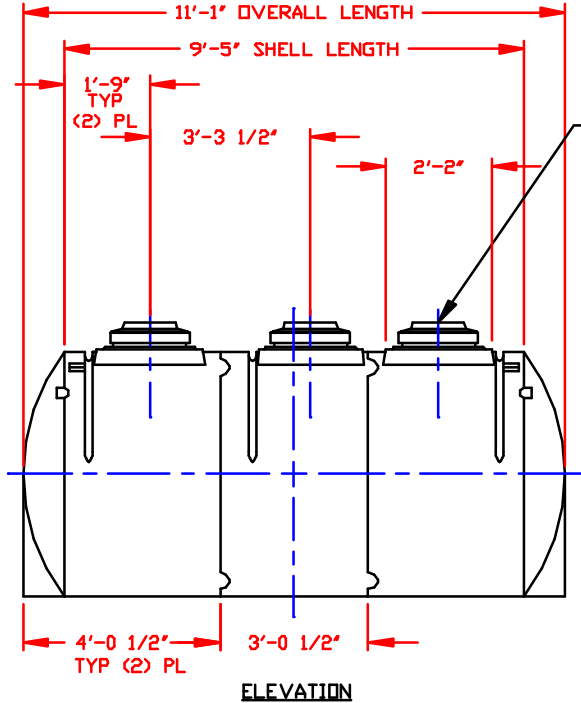
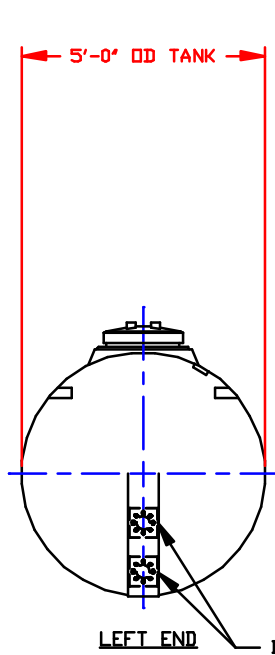
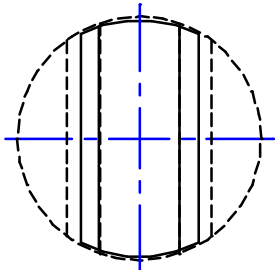
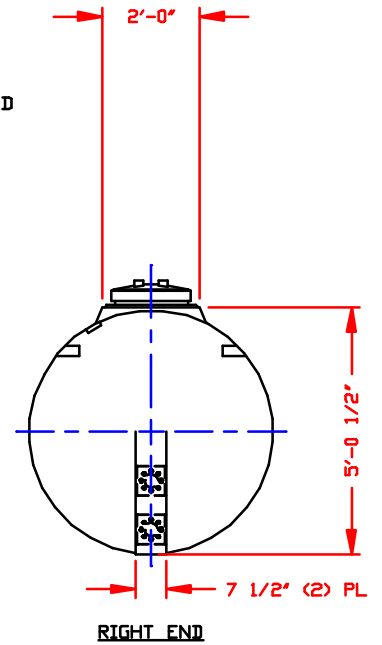


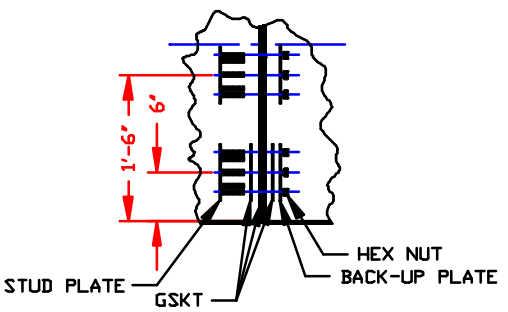
<b>NON-CONTROLLED COPY</b> INFORMATION SUBJECT TO CHANGE WITHOUT NOTICE COPY WILL NOT BE UPDATED	COPY ISSUED BY.....  COPY ISSUED ON.....
--	--



STANDARD COVER:  
 17" BUTTRESS THREAD  
 CAP/BLACK PE  
 STOCK NO. 4558  
 (3) REQ'D



**CARBON STEEL INTERFACE PLATE**  
 REQ'D IF BAFFLE FTGS ARE NOT USED  
 (1) REQ'D PER SEGMENT INTERFACE  
 STOCK NO. SP122



**DETAIL 'A'**  
 BAFFLE FTG/316SS  
 (2) REQ'D PER SEGMENT INTERFACE  
 STOCK NO. SP550  
 SCALE: NONE

- NOTES**
1. THIS IS A COMPUTER GENERATED DWG. DO NOT REVISE BY HAND.
  2. DIMENSIONS WILL VARY ±3% DUE VARIATIONS IN MULTIPLE MOLDS & CONDITIONS PREVALENT DURING MANUFACTURE & USAGE.
  3. NO MOLDED IN GALLONAGE MARKERS THIS TANK.

CALCULATED CAPACITY	VOLUME IN U.S. GALLONS
DESIGN CAPACITY	1520

CONFIDENTIAL PROPERTY OF  
 POLY PROCESSING COMPANY  
 NOT FOR REPRINT OR USE  
 WITHOUT PERMISSION

DWG TITLE		1520 GALLON HORIZONTAL (3) SECTIONAL TANK	
SCALE:	3/8"=1'-0"	<b>POLY PROCESSING</b> Company	DR: MB WILKERSON
DATE:	4/25/00		CK: J. RECTOR
SHEET		COMPUTER FILE	REV
1 OF 1		13601520	-