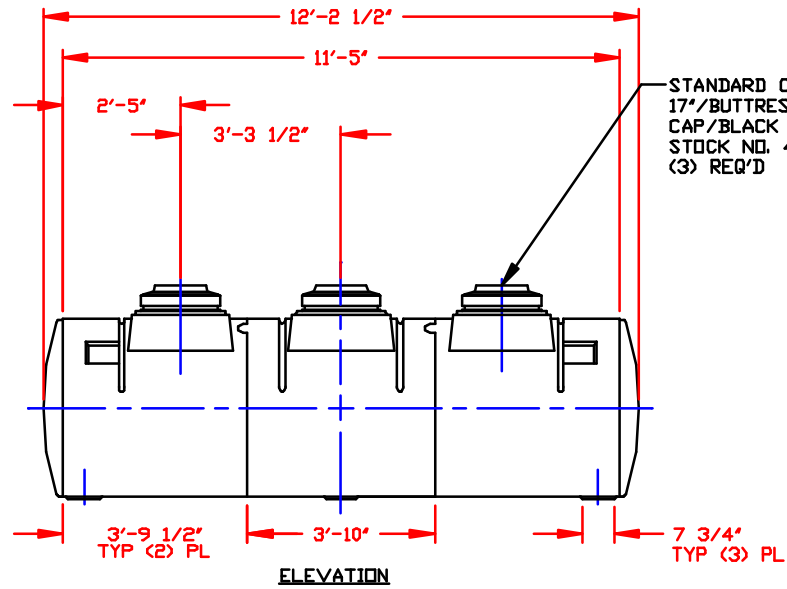
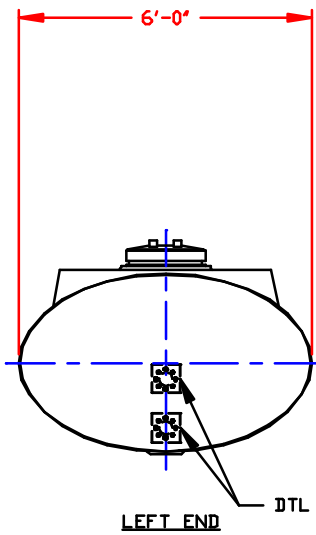
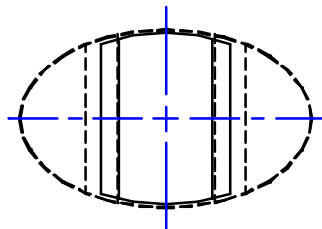
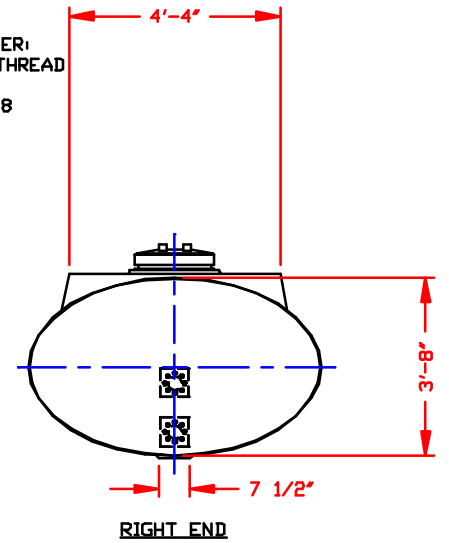


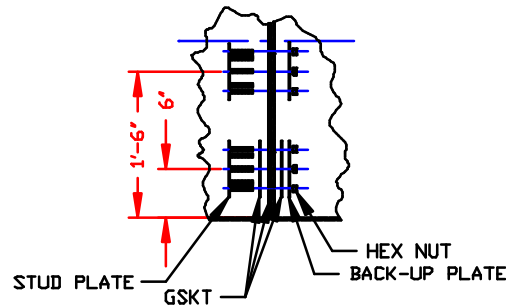
<p>NON-CONTROLLED COPY</p> <p>INFORMATION SUBJECT TO CHANGE WITHOUT NOTICE</p> <p>COPY WILL NOT BE UPDATED</p>	COPY ISSUED BY.....
	COPY ISSUED ON.....



STANDARD COVER:
17"/BUTTRESS THREAD
CAP/BLACK PE
STOCK NO. 4558
(3) REQ'D



CARBON STEEL INTERFACE PLATE
REQ'D IF BAFFLE FTGS ARE NOT USED
(1) REQ'D PER SEGMENT INTERFACE
STOCK NO. SP159



BAFFLE FTG/316SS
(2) REQ'D PER SEGMENT INTERFACE
STOCK NO. SP550
SCALE: NONE

NOTES

1. THIS IS A COMPUTER GENERATED DWG. DO NOT REVISE BY HAND.
2. DIMENSIONS WILL VARY ±3% DUE VARIATIONS IN MULTIPLE MOLDS & CONDITIONS PREVALENT DURING MANUFACTURE & USAGE.
3. NO MOLDED IN GALLONAGE MARKERS THIS TANK.

CALCULATED CAPACITY	VOLUME IN U.S. GALLONS
DESIGN CAPACITY	1450

CONFIDENTIAL PROPERTY OF
POLY PROCESSING COMPANY
NOT FOR REPRINT OR USE
WITHOUT PERMISSION

DWG TITLE		1450 GALLON HORIZONTAL ELLIPTICAL (3) SECTIONAL TANK	
SCALE:	3/8"=1'-0"		<small> Williams Engine P.O. Box 88 8802 South Ash Street Fresno, CA 93728 558-7272 FAX 558-9800 </small>
DATE:	4/17/00		DR: MB WILKERSON CK: J. RECTOR
SHEET	1 OF 1	COMPUTER FILE	REV
		13701450	-