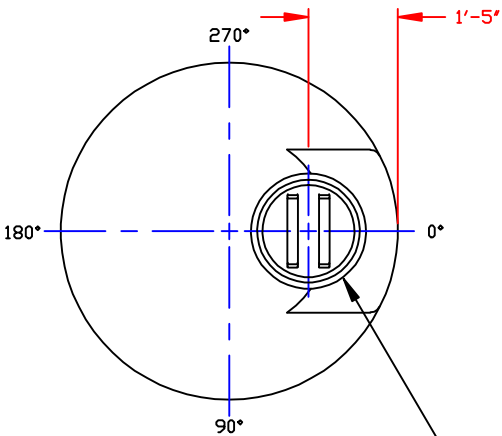
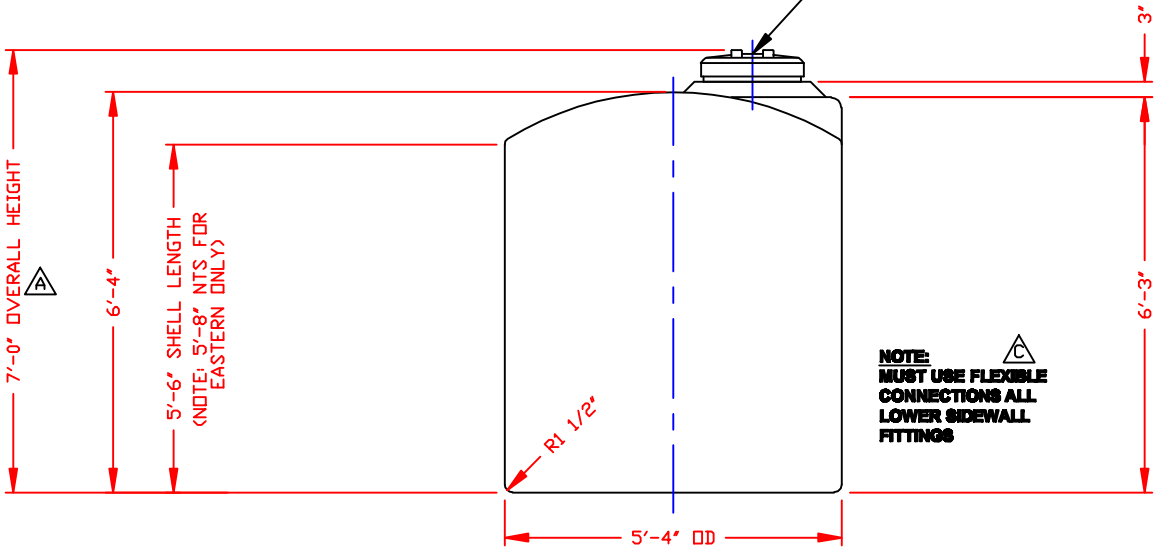


NON-CONTROLLED COPY
 INFORMATION SUBJECT TO CHANGE WITHOUT NOTICE
 VERIFY REV LEVEL OF PAPER COPY WITH REV LEVEL ON PPC WEB SITE



B/D
 STANDARD COVER:
 17" CAP/BUTTRESS THR'D
 BLACK PE
 STOCK NO. 4558




NOTE:
 MUST USE FLEXIBLE
 CONNECTIONS ALL
 LOWER SIDEWALL
 FITTINGS

NOZZLE SCHEDULE & ACCESSORIES						
SERVICE	MK	STOCK NO.	SIZE	FITTING	DEG	ELEV

- NOTES**
1. THIS IS A COMPUTER GENERATED DWG. DO NOT REVISE BY HAND.
 2. DIMENSIONS WILL VARY ±3% DUE TO VARIATIONS IN MULTIPLE MOLDS & CONDITIONS PREVALENT DURING MANUFACTURE & USAGE.
 3. MOLDED IN GALLONAGE MARKERS @ APPROX. 9" IN 100 GAL INCREMENTS UP TO 900 GAL W/TIC MARKS INBETWEEN. CENTRAL REGION.
 4. 5" WIDE MOLDED IN GALLONAGE MARKERS @ APPROX. 13" IN 50 GAL. INCREMENTS UP TO 900 GAL. AVOID WHEN FITTING. EASTERN REGION.

CALCULATED CAPACITIES/ VOLUME IN U.S. GALLONS		
DESIGN CAP	DOME VOL	TOTAL VOL
907	61	968

CONFIDENTIAL PROPERTY OF
 PDLY PROCESSING COMPANY
 NOT FOR REPRINT OR USE
 WITHOUT PERMISSION

DWG TITLE			
905 GALLON UPRIGHT TANK			
SCALE:	1/2"=1'-0"	 POLY PROCESSING COMPANY, LLC	Central Region P.O. Box 4558 (71521) 25th Dist. Shreveport La. Shreveport, LA 71202 CSD: 343-7865 FAX: (504) 343-9795
DATE:	9/21/99		DR: MB WILKERSON CK: J. BRANTLEY
REV *D* REVISED COVER BY:JB 7/24/09 CK:WM		SHEET	COMPUTER FILE
REV *C* ADDED FITTING NOTE BY:MBW 2/11/03 CK:JB		1 OF 1	1000905
REV *B* REVISED LID BY:MBW 2/11/03 CK:JB			D
REV *A* ADDED DIMENSION CK:JB 10/15/02 CK:MBW			