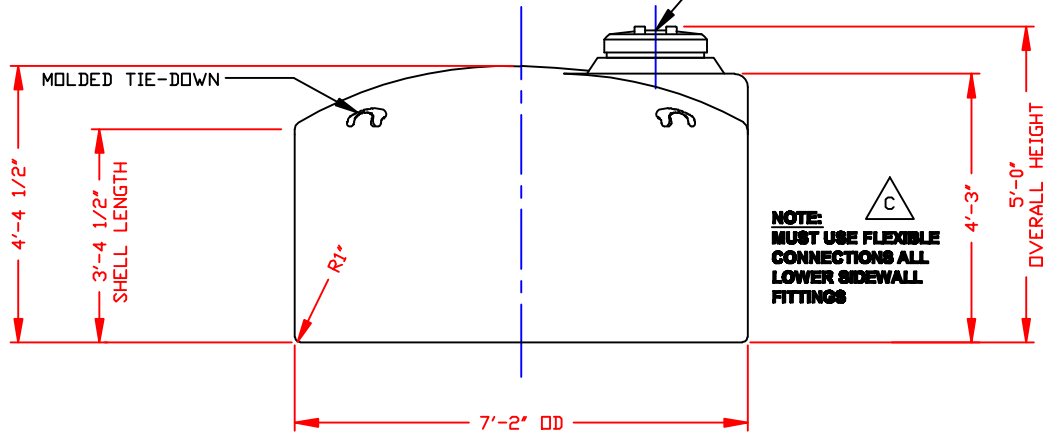
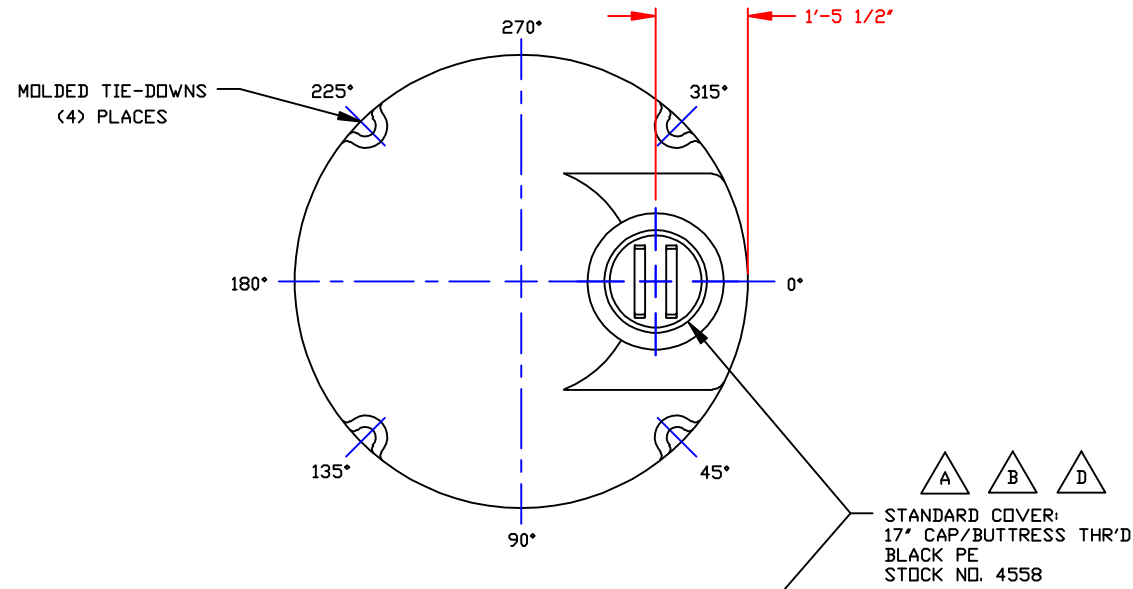


NON-CONTROLLED COPY  
 INFORMATION SUBJECT TO CHANGE WITHOUT NOTICE  
 VERIFY REV LEVEL OF PAPER COPY WITH REV LEVEL ON PPC WEB SITE



NOZZLE SCHEDULE & ACCESSORIES						
SERVICE	MK	STOCK NO.	SIZE	FITTING	DEG	ELEV

- NOTES**
1. THIS IS A COMPUTER GENERATED DWG. DO NOT REVISE BY HAND.
  2. DIMENSIONS WILL VARY ±3% DUE TO VARIATIONS IN MULTIPLE MOLDS & CONDITIONS PREVALENT DURING MANUFACTURE & USAGE.
  3. MOLDED IN GALLONAGE MARKERS @ APPROX. 12" IN 100 GAL. INCREMENTS UP TO 1000 GAL.

CALCULATED CAPACITIES/ VOLUME IN U.S. GALLONS		
DESIGN CAP	DDME VOL	TOTAL VOL
1017	147	1164

CONFIDENTIAL PROPERTY OF  
 PDLY PROCESSING COMPANY  
 NOT FOR REPRINT OR USE  
 WITHOUT PERMISSION

DWG TITLE		1000 GALLON UPRIGHT TANK		
SCALE:	1/2"=1'-0"		<small>Central Region</small> <small>P.O. Box 4589 (71521)</small> <small>2881 Old Worthington Rd.</small> <small>Monroe, LA 70005</small> <small>CS#D 343-7865</small> <small>FAX CS#D 343-9795</small>	DR: MB WILKERSON CK: D. RECTOR
DATE:	9/22/99		SHEET	COMPUTER FILE
		1 OF 1	1001000	D

REV "D" REVISED COVER BY:JB 7/24/09 CK:WM
REV "C" ADDED FITTING NOTE BY:MBW 2/11/03 CK:JB
REV "B" REVISED LID BY:MBW 2/11/03 CK:JB
REV "A" DID SAY "17"/BUTTRESS..." (MOLD MODIFIED) BY:MBW 6/22/00 CK:JB