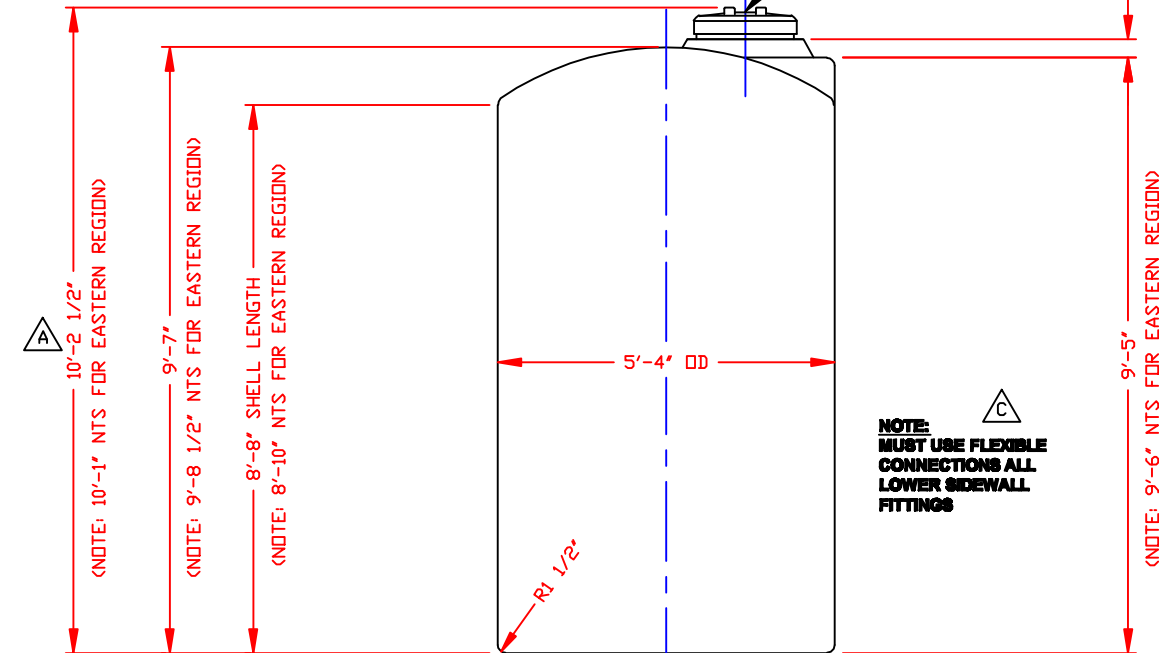
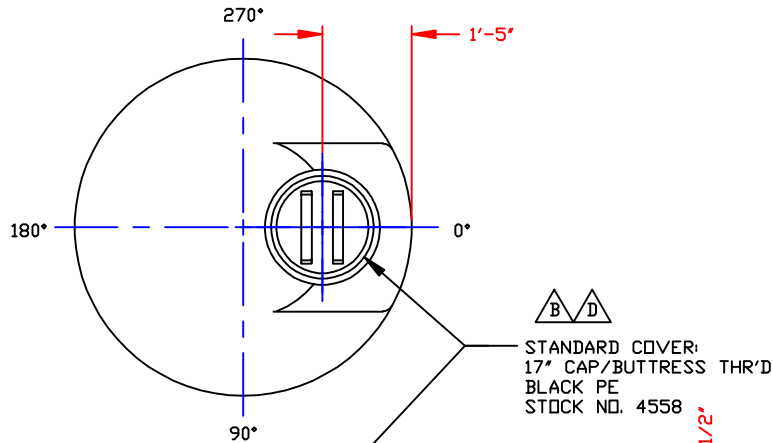


NON-CONTROLLED COPY
 INFORMATION SUBJECT TO CHANGE WITHOUT NOTICE
 VERIFY REV LEVEL OF PAPER COPY WITH REV LEVEL ON PPC WEB SITE




NOZZLE SCHEDULE & ACCESSORIES						
SERVICE	MK	STOCK NO.	SIZE	FITTING	DEG	ELEV

- NOTES:**
1. THIS IS A COMPUTER GENERATED DWG. DO NOT REVISE BY HAND.
 2. DIMENSIONS WILL VARY ±3% DUE TO VARIATIONS IN MULTIPLE MOLDS & CONDITIONS PREVALENT DURING MANUFACTURE & USAGE.
 3. MOLDED IN GALLONAGE MARKERS IN MANWAY AREA IN 100 GALLON INCREMENTS UP TO 1400 GAL. CENTRAL REGION.
 4. 4 1/2" WIDE MOLDED IN GALLONAGE MARKERS @ APPROX 15" IN 100 GAL INCREMENTS UP TO 1300 GAL. AVOID WHEN FITTING. EASTERN REGION.

CALCULATED CAPACITIES/ VOLUME IN U.S. GALLONS		
DESIGN CAP	DOME VOL	TOTAL VOL
1424	61	1485

CONFIDENTIAL PROPERTY OF
 PDLY PROCESSING COMPANY
 NOT FOR REPRINT OR USE
 WITHOUT PERMISSION

DWG TITLE			
1400 GALLON UPRIGHT TANK			
SCALE: 1/2"=1'-0"	 POLY PROCESSING COMPANY, LLC	Central Region P.O. Box 4580 • 71251 25th Old Shreveport Rd. New Orleans, LA 70002 (504) 343-7862 FAX (504) 343-9795	DR: MB WILKERSON CK: D. RECTOR
DATE: 9/22/99		SHEET 1 OF 1	COMPUTER FILE 1001400

REV "D" REVISED COVER BY:JB 7/23/09 CK:WM
REV "C" ADDED FITTING NOTE BY:MBW 2/17/03 CK:JB
REV "B" REVISED LID BY:MBW 2/17/03 CK:JB
REV "A" ADDED DIMENSION BY:JB 10/16/02 CK:MBW