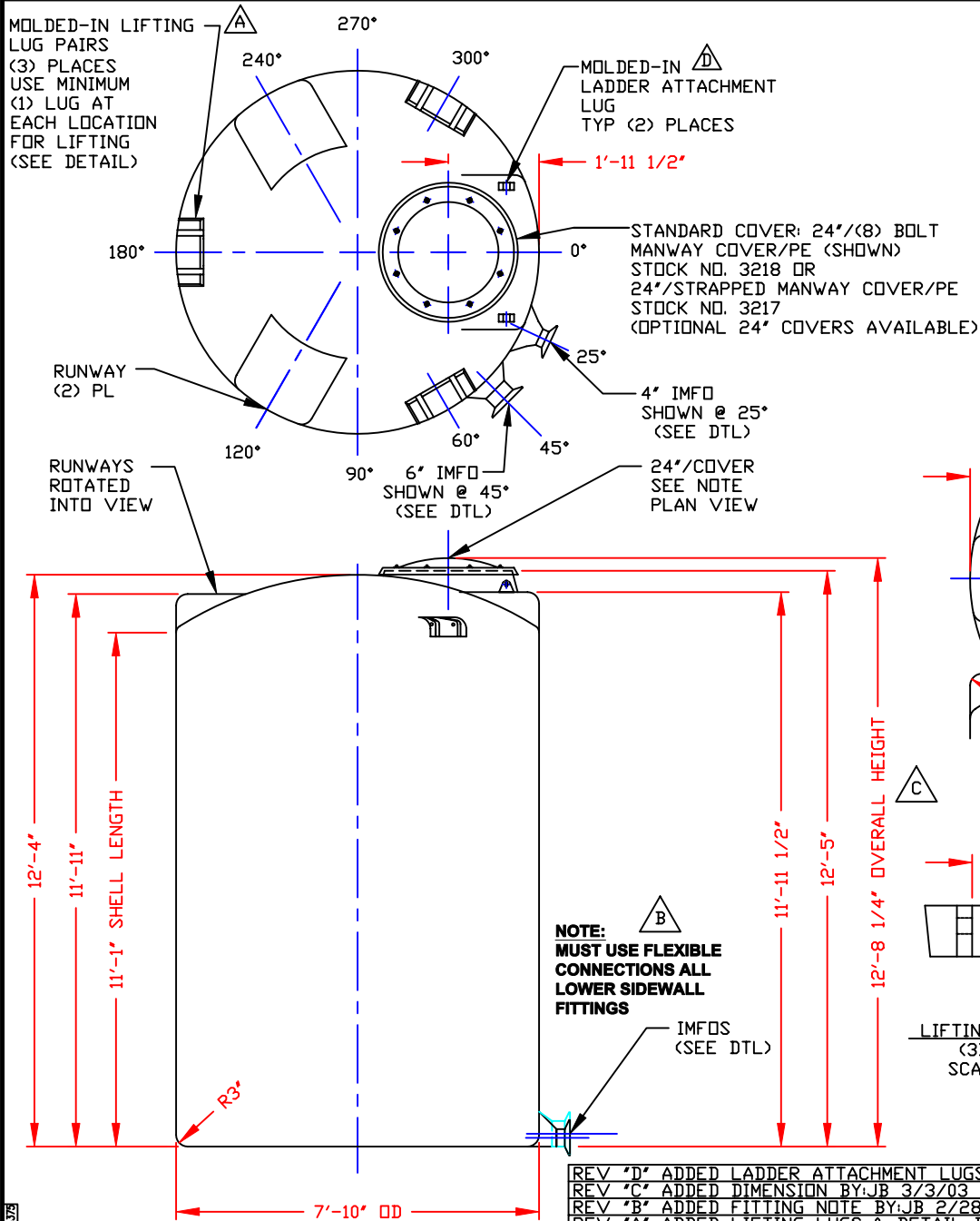
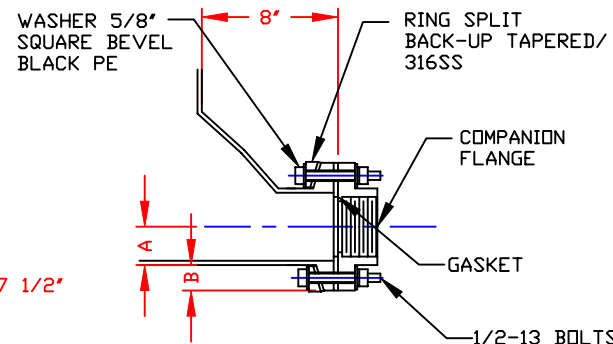


NON-CONTROLLED COPY
 INFORMATION SUBJECT TO CHANGE WITHOUT NOTICE
 VERIFY REV LEVEL OF PAPER COPY WITH REV LEVEL ON PPC WEB SITE



NOZZLE SCHEDULE & ACCESSORIES					
SERVICE	MK	STOCK NO.	SIZE	FITTING	DEG ELEV



IMFO NOZZLE DETAIL
 (INTEGRALLY MOLDED FLANGED OUTLET)
 SCALE: NONE

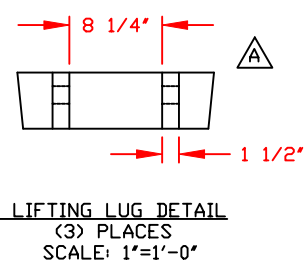
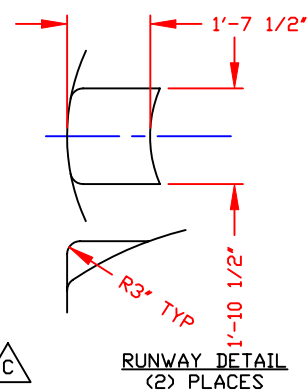
DIMENSION CHART		
PIPE SIZE	A	B
4"	2 1/4"	2 1/4"
6"	3 5/16"	2 3/16"

NOTE: (2) IMFO NOZZLES MAY BE MOLDED IN TANK. (1) @ 25° & (1) @ 45°. IF (2) IMFO'S ARE USED (1) TO BE 4" & (1) TO BE 6". EITHER OR BOTH MAY BE BLOCKED OFF.

- NOTES:
- THIS IS A COMPUTER GENERATED DRAWING. DO NOT REVISE BY HAND
 - DIMENSIONS WILL VARY ±3% DUE TO VARIATIONS IN MULTIPLE MOLDS AND CONDITIONS PREVELANT DURING MANUFACTURE AND USAGE.
 - MOLDED IN GALLONAGE MARKERS IN 200 GAL INCREMENTS UP TO 4000 GAL IN MANWAY AREA.

CALCULATED CAPACITIES/ VOLUME IN U.S. GALLONS		
DESIGN CAP	DOME VOL	TOTAL VOL
3909	192	4101

CONFIDENTIAL PROPERTY OF
 POLY PROCESSING COMPANY
 NOT FOR REPRINT OR USE
 WITHOUT PERMISSION



REV "D" ADDED LADDER ATTACHMENT LUGS BY:JB 9/8/04 CK:WM
REV "C" ADDED DIMENSION BY:JB 3/3/03 CK:MBW
REV "B" ADDED FITTING NOTE BY:JB 2/28/03 CK:MBW
REV "A" ADDED LIFTING LUGS & DETAIL BY:JB 2/28/03 CK:WM

DWG TITLE		3900 GALLON DOUBLE IMFO TANK	
SCALE: 3/8"=1'-0"		Central Region P.O. Box 459 07810 200 Old Sherrington Rd Monroe, LA 71203 CUB 343-7265 FAX CUB 343-8795	DR: MB WILKERSON
DATE: 11/10/99		CK: D. RECTOR	
SHEET		COMPUTER FILE	REV
1 OF 1		1103900	D