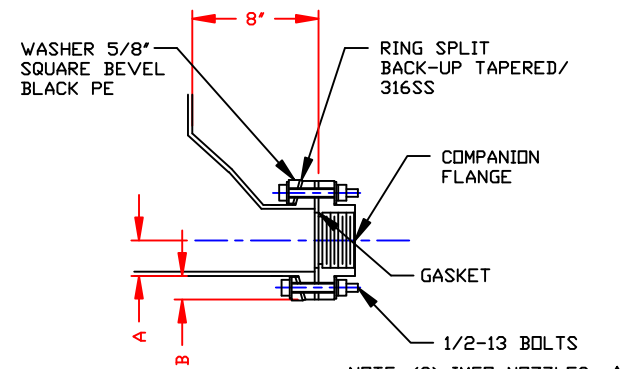


NOTE: MUST USE FLEXIBLE CONNECTIONS ALL LOWER SIDEWALL FITTINGS

IMFO NOZZLES ROTATED INTO VIEW--FOR TRUE ORIENTATION SEE PLAN

NOZZLE SCHEDULE & ACCESSORIES						
SERVICE	MK	STOCK NO.	SIZE	FITTING	DEG	ELEV



DIMENSION CHART		
PIPE SIZE	A	B
4"	2 1/4"	2 1/4"
6"	3 5/16"	2 3/16"

NOTE: (2) IMFO NOZZLES MAY BE MOLDED IN TANK IF (2) IMFO'S ARE USED (1) TO BE 4" & (1) TO BE 6", AS SHOWN, OR (2) 4".

IMFO NOZZLE DETAIL
(INTEGRALLY MOLDED FLANGED OUTLET)
SCALE: NONE

- NOTES**
1. THIS IS A COMPUTER GENERATED DWG. DO NOT REVISE BY HAND.
 2. DIMENSIONS WILL VARY ±3% DUE TO VARIATIONS IN MULTIPLE MOLDS AND CONDITIONS PREVELANT DURING MANUFACTURE AND USAGE.
 3. MOLDED IN GALLONAGE MARKERS IN 200 GAL INCREMENTS UP TO 5000 GAL IN MANWAY AREA.

CALCULATED CAPACITIES/ VOLUME IN U.S. GALLONS		
DESIGN CAP	DOME VOL	TOTAL VOL
5052	192	5244

CONFIDENTIAL PROPERTY OF
POLY PROCESSING COMPANY
NOT FOR REPRINT OR USE
WITHOUT PERMISSION

DWG TITLE			
5050 GALLON DOUBLE IMFO TANK			
SCALE: 1/4"=1'-0"		General Region P.O. Box 450 (7125) 25th St. Shreveport La. New Orleans, LA 70005 CEN 343-7825 FAX (504) 343-9795	DR: MB WILKERSON
DATE: 11/11/99		POLY PROCESSING C O M P A N Y L L C	CK: D. RECTOR
SHEET		COMPUTER FILE	REV
1 OF 1		1105050	E

- REV "E" IMFO NOTE REVISED BY:JB 9/7/10 CK:WM
- REV "D" ADDED LADDER ATTACHMENT LUGS BY:JB 1/25/05 CK:WM
- REV "C" ADDED FITTING NOTE BY:MBW 3/3/03 CK:JB
- REV "B" ADDED LIFTING LUGS & DETAIL BY:JB 1/13/03 CK:WM
- REV "A" ADDED DIMENSION BY:JB 10/21/02 CK:MBW