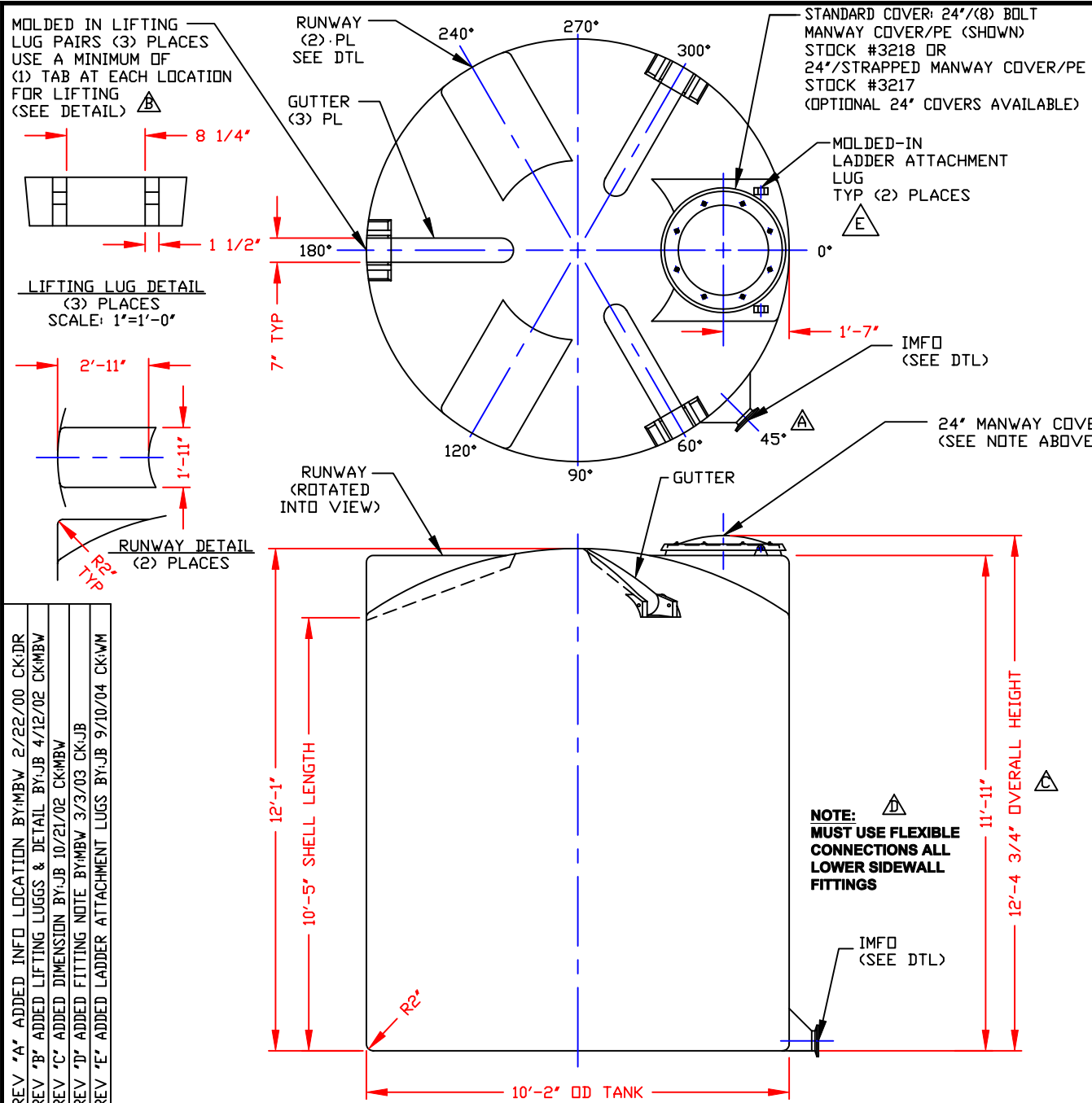
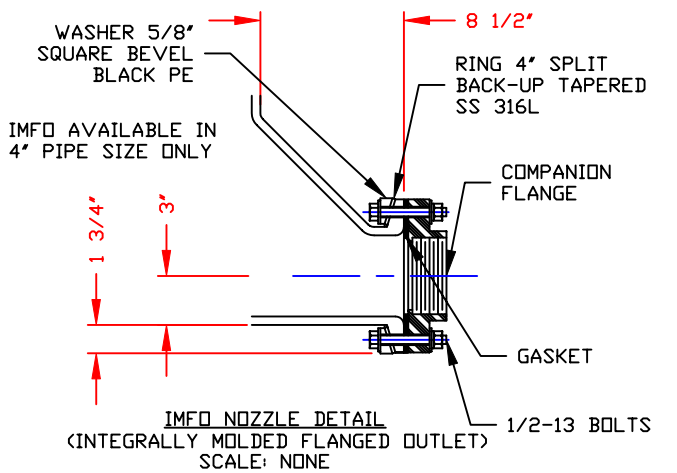


NON-CONTROLLED COPY
 INFORMATION SUBJECT TO CHANGE WITHOUT NOTICE
 VERIFY REV LEVEL OF PAPER COPY WITH REV LEVEL ON PPC WEB SITE



NOZZLE SCHEDULE & ACCESSORIES					
SERVICE	MK	STOCK NO.	SIZE	FITTING	DEG ELEV



- NOTES**
- THIS IS A COMPUTER GENERATED DWG. DO NOT REVISE BY HAND.
 - MOLDED IN GALLONAGE MARKERS ON SIDEWALL IN 200 GAL INCREMENTS UP TO 5800 GAL.
 - DIMENSIONS WILL VARY ±3% DUE TO VARIATIONS IN MULTIPLE MOLDS & CONDITIONS PREVALENT DURING MANUFACTURE & USAGE.

CALCULATED CAPACITIES/ VOLUME IN U.S. GALLONS		
DESIGN CAP	DOME VOL	TOTAL VOL
6198	419	6617

CONFIDENTIAL PROPERTY OF
 POLY PROCESSING COMPANY
 NOT FOR REPRINT OR USE
 WITHOUT PERMISSION

DWG TITLE		6150 GALLON IMFO TANK		
SCALE:	3/8"=1'-0"	 POLY PROCESSING COMPANY	DR:	MB WILKERSON
DATE:	9/13/99		CK:	D. RECTOR
SHEET		COMPUTER FILE	REV	
1 OF 1		1106150	E	

REV 'A' ADDED INFO LOCATION BY:MBW 2/22/00 CK:DR
 REV 'B' ADDED LIFTING LUGS & DETAIL BY:JB 4/12/02 CK:MBW
 REV 'C' ADDED DIMENSION BY:JB 10/21/02 CK:MBW
 REV 'D' ADDED FITTING NOTE BY:MBW 3/3/03 CK:JB
 REV 'E' ADDED LADDER ATTACHMENT LUGS BY:JB 9/10/04 CK:MM