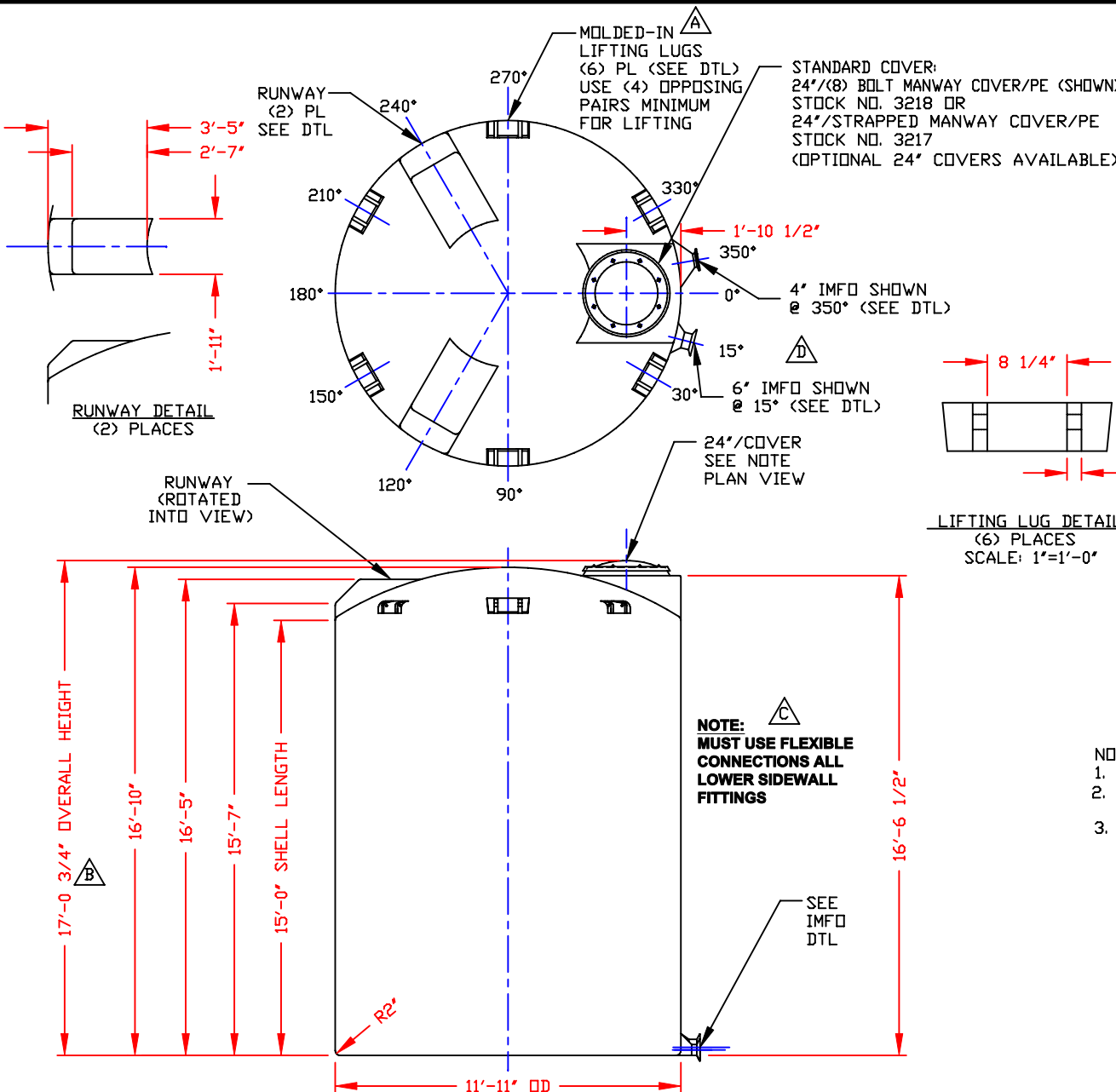
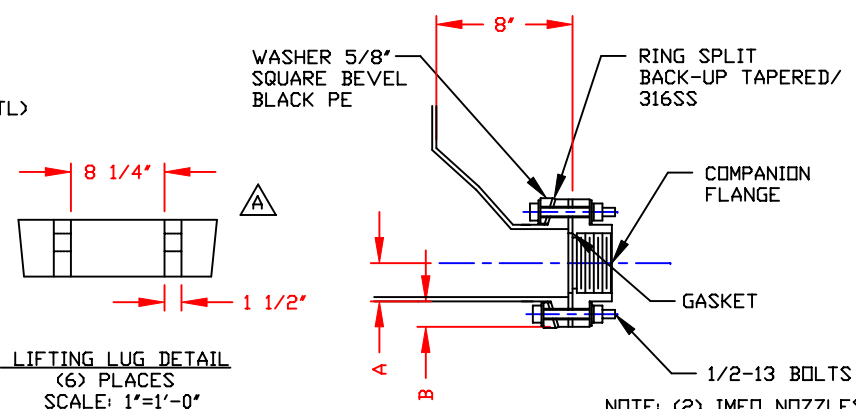


NON-CONTROLLED COPY
 INFORMATION SUBJECT TO CHANGE WITHOUT NOTICE
 VERIFY REV LEVEL OF PAPER COPY WITH REV LEVEL ON PPC WEB SITE



NOZZLE SCHEDULE & ACCESSORIES					
SERVICE	MK	STOCK NO.	SIZE	FITTING	DEG ELEV

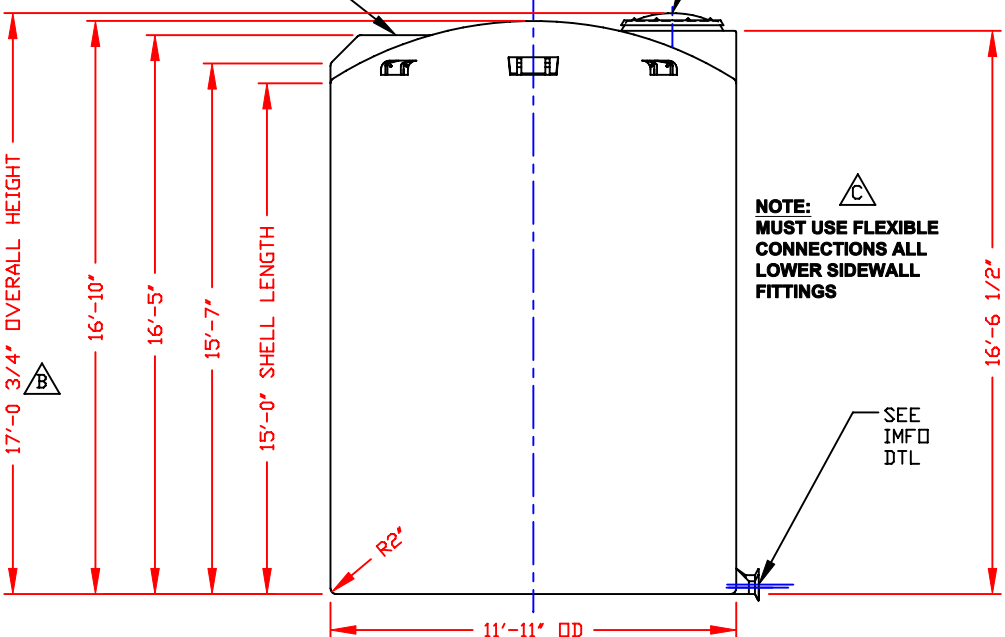


DIMENSION CHART		
PIPE SIZE	A	B
4"	2 1/4"	2 1/4"
6"	3 5/16"	2 3/16"

NOTE: (2) IMFO NOZZLES MAY BE MOLDED IN TANK (1) @ 15° & (1) @ 350°. IF (2) IMFO'S ARE USED (1) TO BE 4" & (1) TO BE 6". EITHER OR BOTH MAY BE BLOCKED OFF.


IMFO NOZZLE DETAIL
 (INTEGRALLY MOLDED FLANGED OUTLET)
 SCALE: NONE

- NOTES:
1. THIS IS A COMPUTER GENERATED DWG. DO NOT REVISE BY HAND.
 2. DIMENSIONS WILL VARY ±3% DUE TO VARIATIONS IN MULTIPLE MOLDS & CONDITIONS PREVALENT DURING MANUFACTURE & USAGE.
 3. 5 1/2" WIDE MOLDED IN GALLONAGE MARKERS @ APPROX 23° UP TO 11200 GAL--AVOID WHEN PLACING FITTINGS.



CALCULATED CAPACITIES/ VOLUME IN U.S. GALLONS		
DESIGN CAP	DOME VOL	TOTAL VOL
12150	675	12825

CONFIDENTIAL PROPERTY OF
 POLY PROCESSING COMPANY
 NOT FOR REPRINT OR USE
 WITHOUT PERMISSION

DWG TITLE			
12150 GALLON DOUBLE IMFO TANK			
SCALE:	1/4"=1'-0"	 POLYPROCESSING COMPANY	DR:
DATE:	11/12/99		Central Region P.O. Box 4150 (71211) 2201 Old Stovington Rd Metairie, LA 70002 CUB 342-7565 FAX 504-343-8795
REV 'D' REVISED IMFO LOCATIONS BY:MBW 2/7/06 CK:JB		SHEET	COMPUTER FILE
REV 'C' ADDED FITTING NOTE BY:MBW 3/3/03 CK:JB		1 OF 1	1112150
REV 'B' ADDED DIMENSION BY:JB 10/22/02 CK:MBW		REV	
REV 'A' ADDED LIFTING LUGS & DETAIL BY:JB 6/5/02 CK:WM		D	