

7.6 “UNIVERSAL DOME” BULKHEAD FITTINGS

1. Remove the large fitting nut from the fitting body. Note that the gasket is located immediately below this nut. The gasket and remainder of the fitting should be set aside for later use.
2. Using the nut as a template, locate the desired position of the fitting. Trace the nut inside and out. Draw a line through the center of the traced outline from each of the points of the nut (see illustration). This will locate the center of the fitting.
3. Before drilling, the hole saw should match the Outside Diameter (O.D.) portion of the fitting that must go through the hole in the tank. Drill the tank with a hole saw. Remove any flashing with a pocket knife and brush away any shavings around the hole.
4. Working from the inside of the tank, slide the fitting body through the hole in the tank. The gasket should be between the back of the shoulder of the fitting and the inside wall of the tank.
5. Install the large fitting nut on the outside of the tank. Tighten the nut securely, hand tight plus one half turn to three quarter turn.
6. Inspect the gasket to make sure it has not crept from the shoulder of the fitting. If so, loosen the nut on the outside of the tank. The gasket will jump back into place. Retighten the nut carefully.
7. Piping such as a flange adapter should be threaded into the “ball” of the fitting now. Teflon sealant tape or other thread sealant should be applied to all pipe threads. Piping may be adjusted to any angle desired within the limits of the fitting.
8. Note, universal ball fittings are adjusted at the factory to provide vertical entry into the tank dome, but are sometimes knocked out of adjustment during transit. If necessary, gently loosen the ball retainer ring located on top of the fitting ball using a spanner wrench, adjust to desired angle, and tighten retainer ring taking care not to over-tighten and crack.
9. For a flanged connection Flange Adaptors may be used.

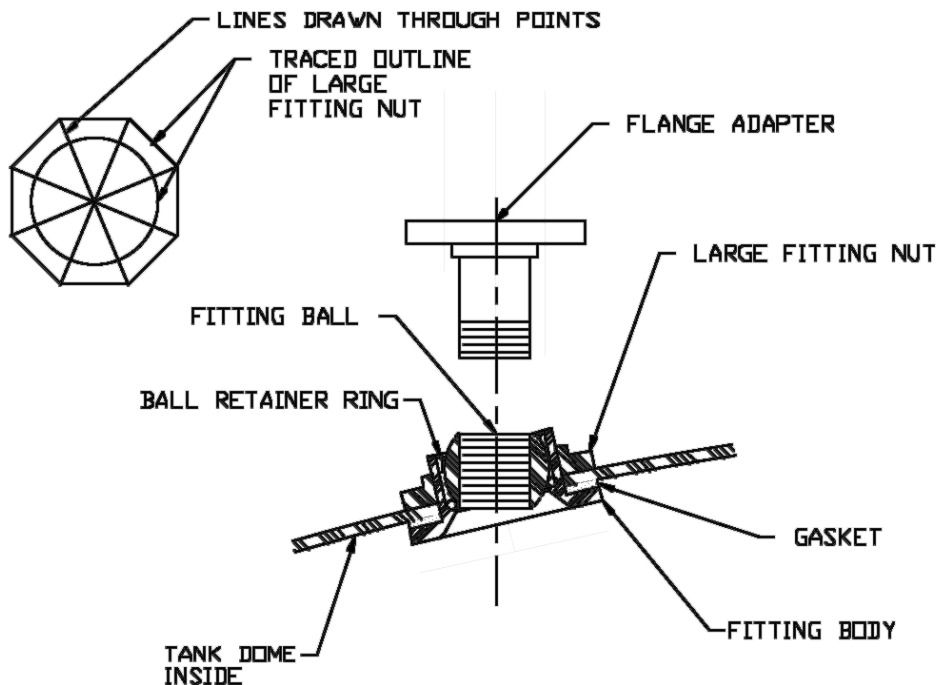


ILLUSTRATION
(F:\DWG\FITTING\ASMUJBS)