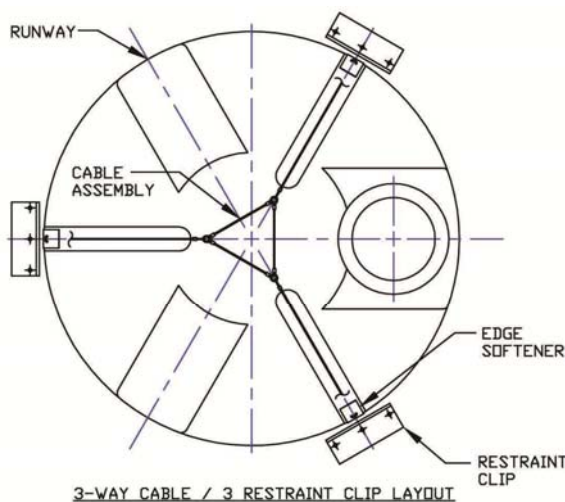


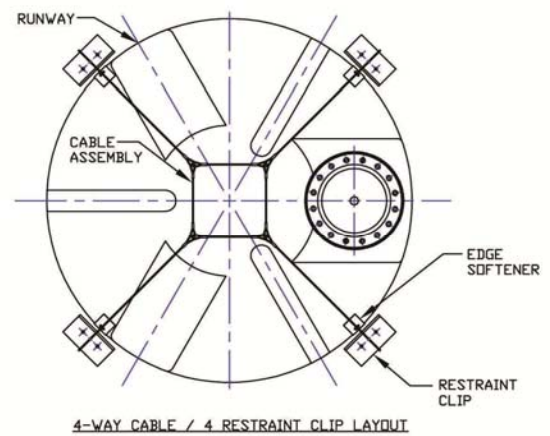
RESTRAINT SYSTEMS

Wind and seismic restraint systems are governed by state and local code. Consult your local code for requirements.

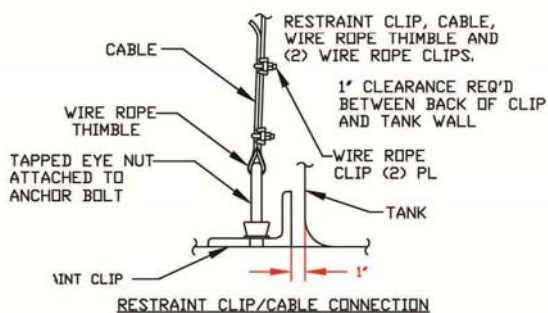
1. Restraint Clips
 - a. Space equally around circumference of tank. If tank operating temperatures exceed 100°F, contact Customer Support for proper clip placement.
 - b. Allow minimum of 1 inch clearance between tank and back of clip to accommodate tank expansion.
 - c. Attach the clips to the foundation with appropriate fasteners (customer supplied).
2. Cable Assembly
 - a. Place cable assembly over the tank with the cable sling or tension ring at the top center of the dome.
 - b. Pass each cable leg over the upper shell knuckle through the Edge Softener.
 - c. Place the wire rope thimble in the eye-nut (Style A) or the hole provided in the restraint clip (Style B) and loop the cable around the thimble.
 - d. Install the wire rope clips by forming a loop with the cable end. See instructions included with wire rope clips.
 - e. After the cable is attached to the restraint clips, the excess cable slack must be removed. Cable tension should only be snug enough to secure the Edge Softeners against the upper tank knuckle. **Excessive cable tension should be avoided as it may cause undue stress and deformation to the tank.**
 - f. After cable tension is properly adjusted, the wire rope clips should be checked for proper tightening.
3. Periodic Inspection
 - a. Periodically check cables and wire rope clips to ensure proper but not excessive tension.
 - b. Adjust if necessary, following steps e and f above.



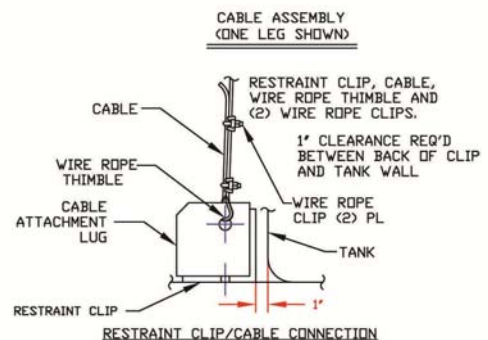
Style A



Style B



RESTRAINT CLIP/CABLE CONNECTION



RESTRAINT CLIP/CABLE CONNECTION