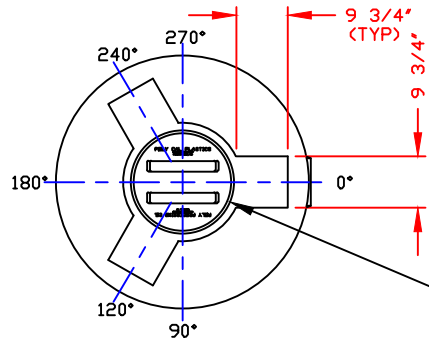
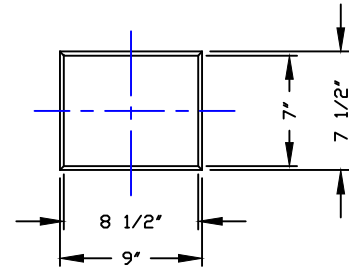


NON-CONTROLLED COPY
 INFORMATION SUBJECT TO CHANGE WITHOUT NOTICE
 VERIFY REV LEVEL OF PAPER COPY WITH REV LEVEL ON PPC WEB SITE

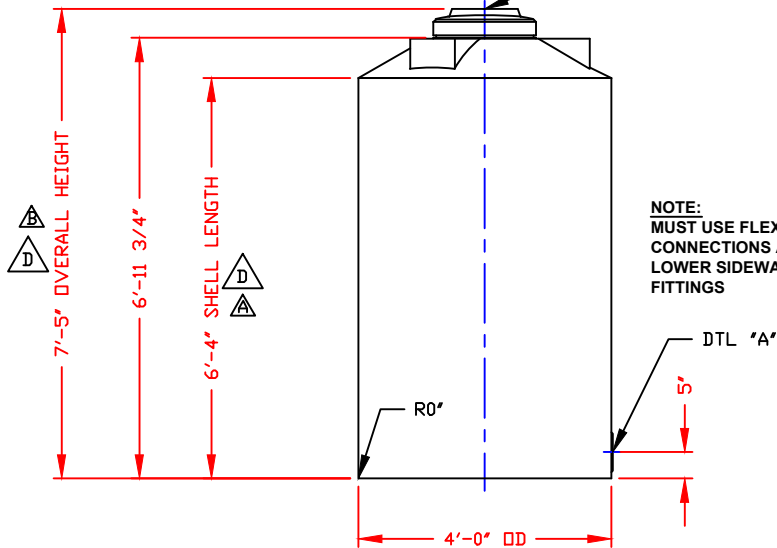
NOZZLE SCHEDULE & ACCESSORIES						
SERVICE	MK	STOCK NO.	SIZE	FITTING	DEG	ELEV



STANDARD COVER:
 17" BUTTRESS THREAD CAP
 BLK PE
 PPC STOCK NO. 4558



DETAIL "A" @ 0°
 1 1/2" = 1'-0"




NOTE:
 MUST USE FLEXIBLE
 CONNECTIONS ALL
 LOWER SIDEWALL
 FITTINGS

NOTES:

- THIS IS A COMPUTER GENERATED DWG. DO NOT REVISE BY HAND.
- DIMENSIONS WILL VARY ±3% DUE TO VARIATIONS IN MULTIPLE MOLDS & CONDITIONS PREVALENT DURING MANUFACTURE & USAGE.
- MOLDED IN GALLONAGE MARKERS @ 0° IN 50 GAL INCREMENTS FROM 100 GAL TO 400 GAL. AVOID WHEN FITTING

CALCULATED CAPACITIES/ VOLUME IN U.S. GALLONS		
DESIGN CAP	DOME VOL	TOTAL VOL
617	25	642

CONFIDENTIAL PROPERTY OF
 POLY PROCESSING COMPANY
 NOT FOR REPRINT OR USE
 WITHOUT PERMISSION

DWG TITLE		615 GALLON UPRIGHT TANK	
SCALE:	1/2" = 1'-0"	 Central Region P.O. Box 4189 Grand Bay, Old Shorthampton Rd. Norcross, GA 30095 (770) 343-7825 FAX (770) 343-9795	DR: MB WILKERSON
DATE:	9/20/99		CK: D. RECTOR
SHEET		COMPUTER FILE	REV
1 OF 1		1000615	D

REV "D" CORRECTED DIMENSIONS BY:JB 3/15/13 CK:CD
REV "C" ADDED FITTING NOTE BY:MBW 2/11/03 CK:JB
REV "B" ADDED DIMENSION BY:JB 10/16/02 CK:MBW
REV "A" ADDED RADIUS BY:MBW 2/22/00 CK:DR